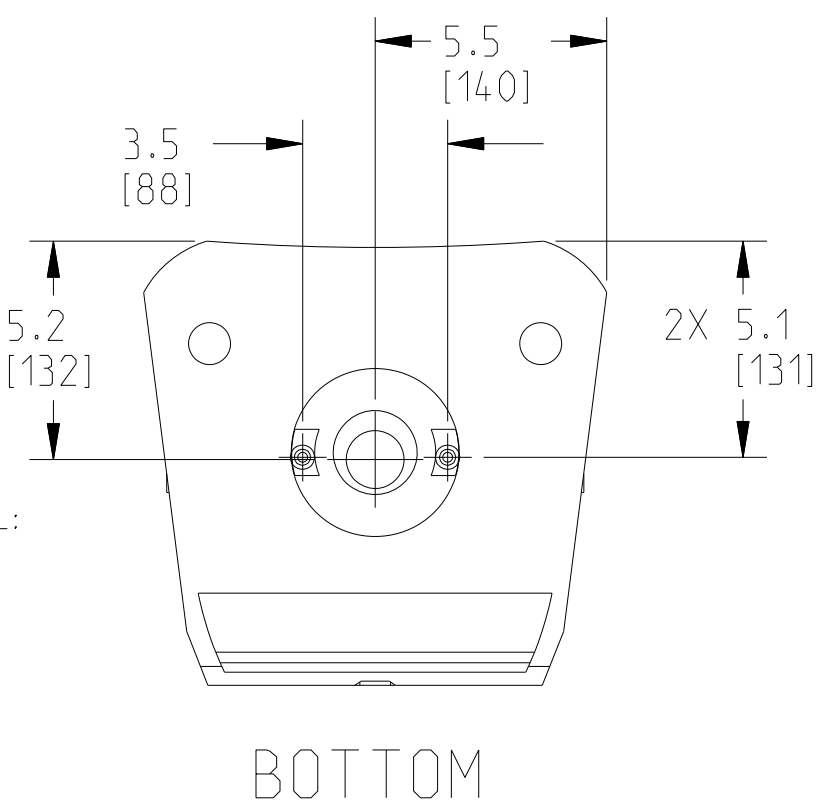
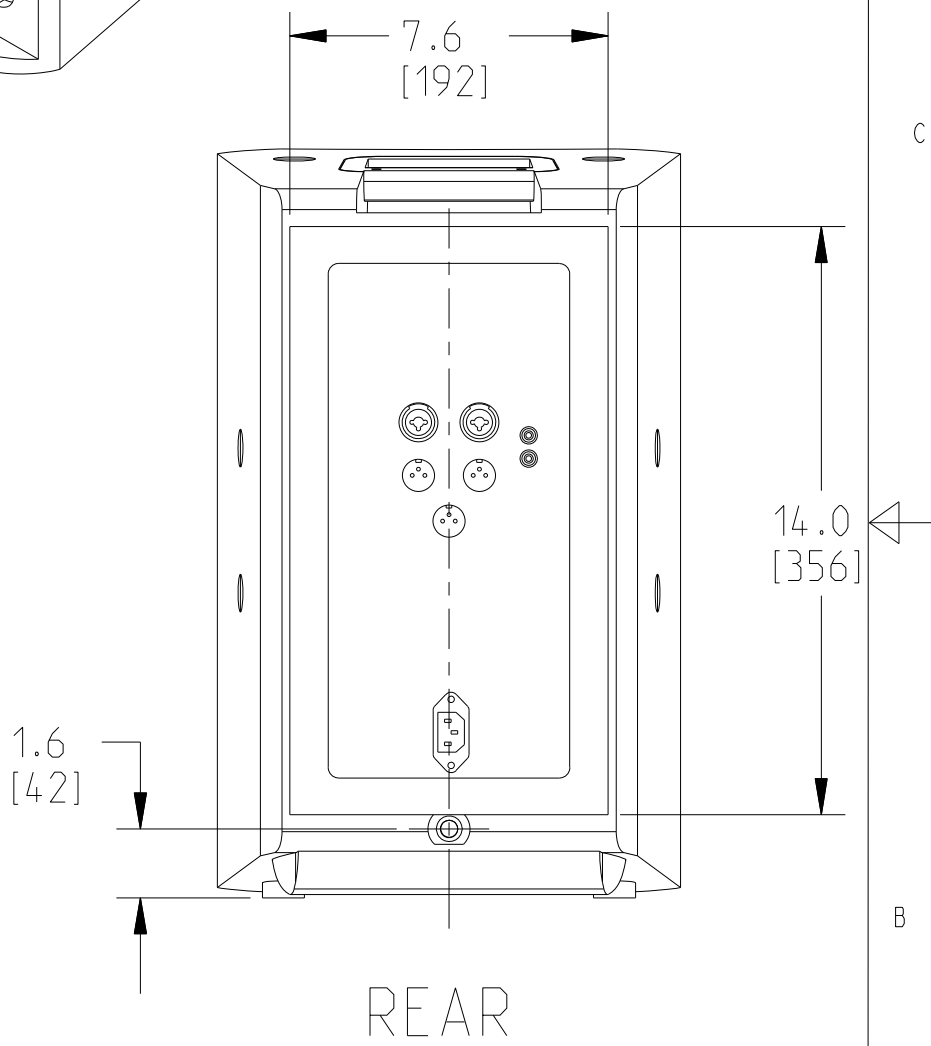
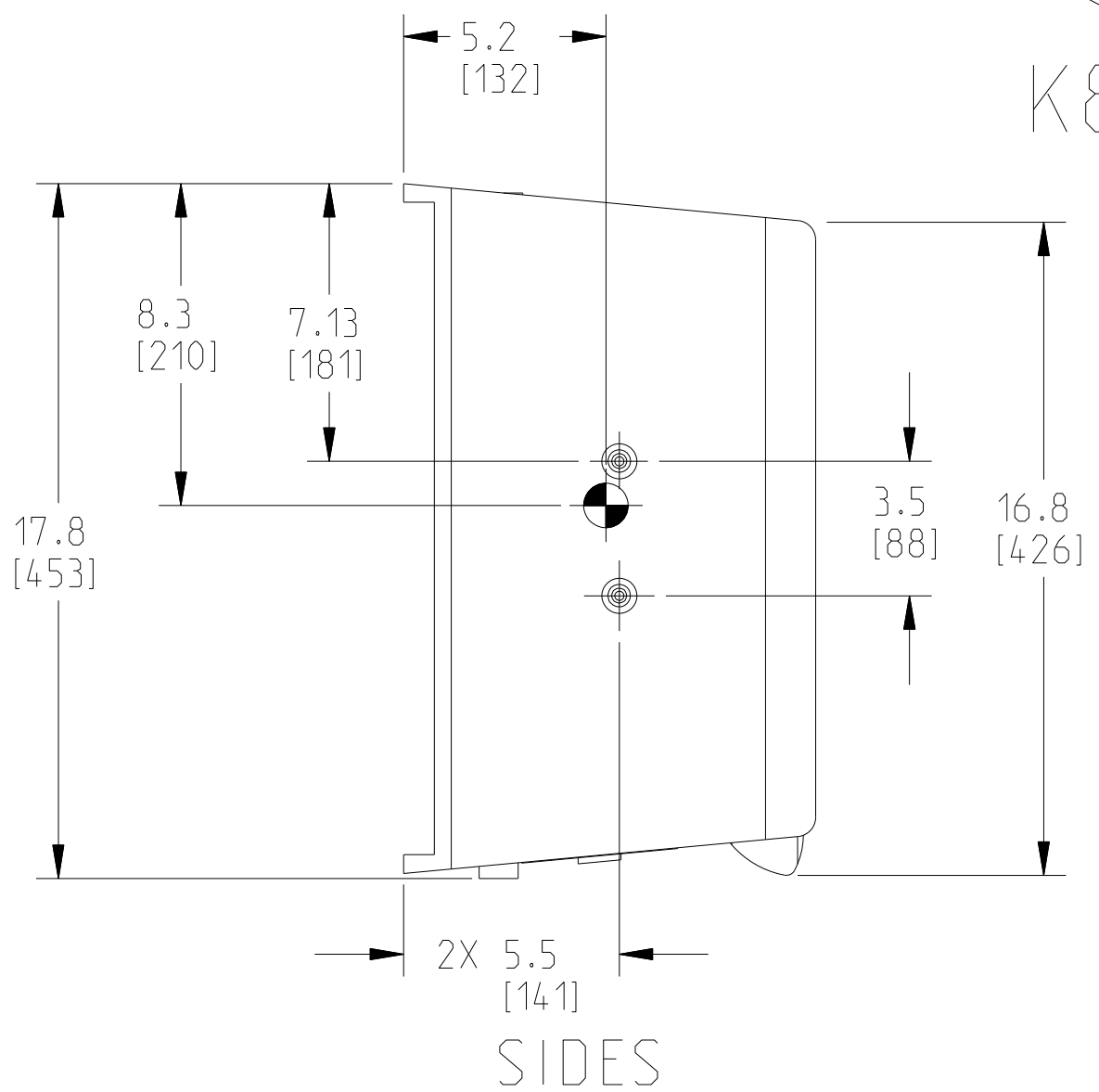
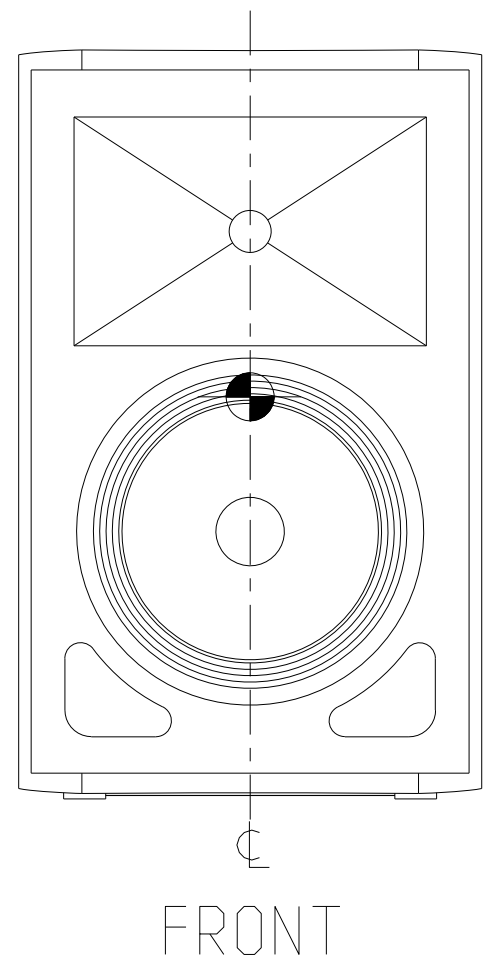
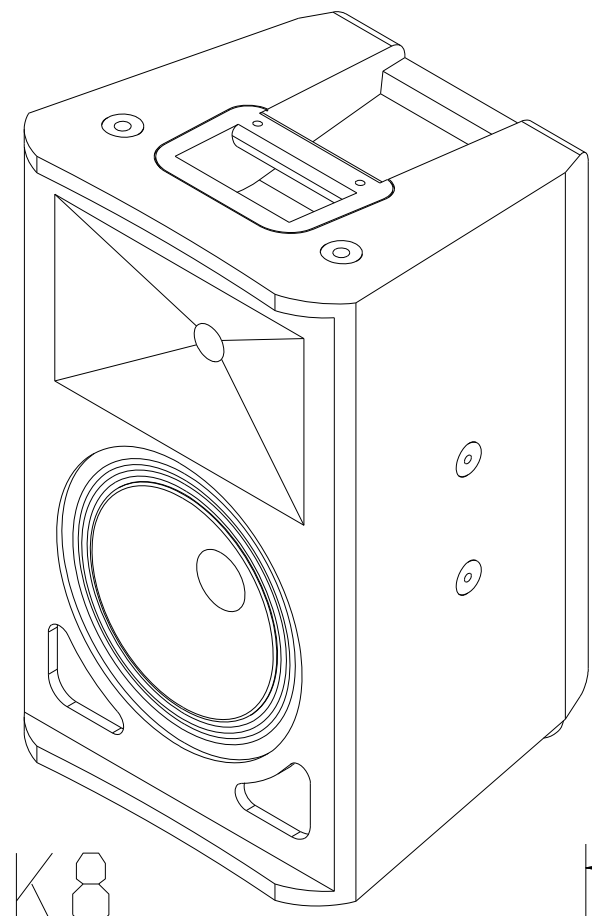
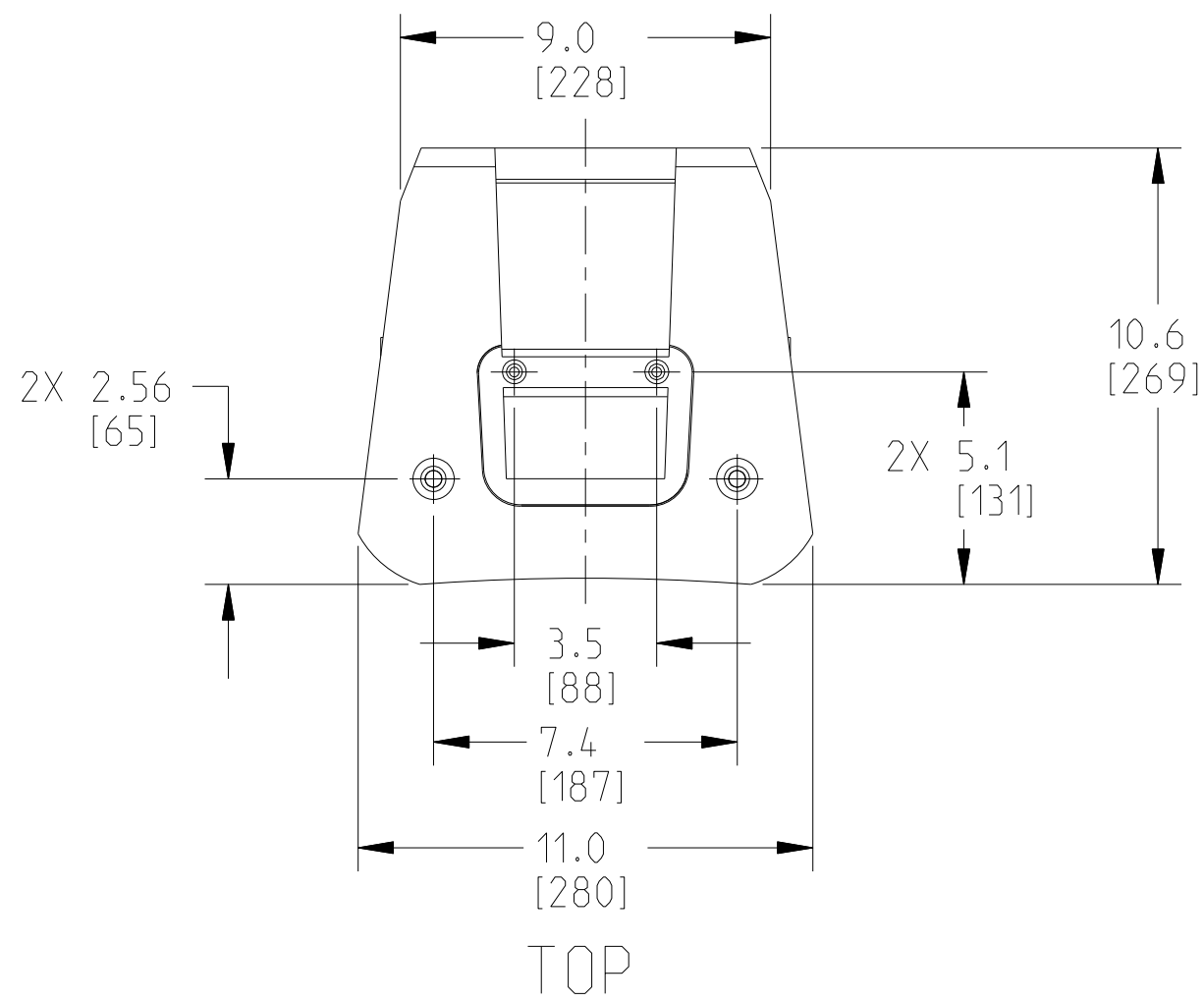


THIS DOCUMENT CONTAINS PROPRIETARY INFORMATION WHICH IS THE PROPERTY OF QSC AUDIO PRODUCTS. THAT MAY NOT BE DISCLOSED, REPRODUCED OR USED WITHOUT EXPRESS WRITTEN CONSENT FROM QSC AUDIO PRODUCTS.

REVISIONS				
REV	DESCRIPTION	EFF DATE	CHK	APVD
A	PRODUCTION RELEASE W/O CHANGE PER ECO 9231 JD	5-20-09	CD	DD



- 5. PARTS ARE SYMMETRICAL ABOUT CENTER LINES UNLESS OTHERWISE NOTED.
- 4. SYMBOL INDICATES CENTER OF BALANCE.
- 3. SYMBOL INDICATES SUSPENSION POINT, 11 TOTAL:
  - 2 EA M10-1.5 THD - TOP PANEL
  - 2 EA M5-0.8 THD - TOP PANEL
  - 2 EA M5-0.8 THD - BOTTOM PANEL
  - 2 EA M5-0.8 THD - SIDE PANELS
  - 1 EA M10-1.5 THD - REAR PANEL
- 2. TOLERANCES (INCHES): .X ± .13, ANGLES: ± 1°.
- 1. NET WEIGHT APPROX. 27 LBS (12.2 KG)
- NOTE: UNLESS OTHERWISE SPECIFIED

UNLESS OTHERWISE SPECIFIED DIMENSIONS ARE IN INCHES. TOLERANCES ARE: DECIMALS    DECIMALS    ANGLES .XX ± .02    .XXX ± .010    ± 1/2 DEBURR EDGES .010 R MAX	CONTRACT NO.		<b>QSC</b> QSC AUDIO PRODUCTS, LLC 1675 MACARTHUR BOULEVARD COSTA MESA, CA 92626	
	APPROVALS			
	DRAWN		DATE	
	CHECKED		DATE	
MATERIAL		MKT		
FINISH		ISSUED		
DO NOT SCALE DRAWING		RD-000521-02.A.0		
SCALE 0.219		SIZE C	CAGE CODE 00PW4	DWG NO. RD-000521-01
RD-000521-01.DRW As Stored from PDM		RD-000521-01.A.0		SHEET 1 of 1