

# Multipar



Operation Manual EN  
Mode d'emploi FR  
Gebruiksaanwijzing NL  
Bedienungsanleitung DU  
Manual de instrucciones ES  
Manual do utilizador PT

[WWW.BEGLEC.COM](http://WWW.BEGLEC.COM)

Copyright © 2007 by BEGLEC cva.

Reproduction or publication of the content in any manner, without express permission of the publisher, is prohibited.



Version: 1.0





### **EN - DISPOSAL OF THE DEVICE**

Dispose of the unit and used batteries in an environment friendly manner according to your country regulations.

### **FR - DÉCLASSER L'APPAREIL**

Débarrassez-vous de l'appareil et des piles usagées de manière écologique Conformément aux dispositions légales de votre pays.

### **NL - VERWIJDEREN VAN HET APPARAAT**

Verwijder het toestel en de gebruikte batterijen op een milieuvriendelijke manier conform de in uw land geldende voorschriften.

### **DU - ENTSORGUNG DES GERÄTS**

Entsorgen Sie das Gerät und die Batterien auf umweltfreundliche Art und Weise gemäß den Vorschriften Ihres Landes.

### **ES - DESHACERSE DEL APARATO**

Reciclar el aparato y pilas usadas de forma ecologica conforme a las disposiciones legales de su pais.

### **PT - COMO DESFAZER-SE DA UNIDADE**

Tente reciclar a unidade e as pilhas usadas respeitando o ambiente e em conformidade com as normas vigentes no seu país.

# OPERATION MANUAL

Thank you for buying this Briteq® product. To take full advantage of all possibilities and for your own safety, please read these operating instructions very carefully before you start using this unit.

## FEATURES

This product meets the requirements of the current European and national guidelines. Conformity has been established and the relevant statements and documents have been deposited by the manufacturer.

- This device has been designed to produce decorative effect lighting and is used in light show systems.
- Multifunctional light projector
- Produces the same light output as a 1000 W PARprojector. Thanks to the special HPL 575-X lamp, this projector only consumes 575 Watt
- 4 lenses (very narrow, narrow, medium flood, wide flood) are included
- Available in black or silver
- Optional: barndoors

## BEFORE USE

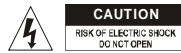
- Before you start using this unit, please check if there's no transportation damage. Should there be any, do not use the device and consult your dealer first.
- **Important:** This device left our factory in perfect condition and well packaged. It is absolutely necessary for the user to strictly follow the safety instructions and warnings in this user manual. Any damage caused by mishandling is not subject to warranty. The dealer will not accept responsibility for any resulting defects or problems caused by disregarding this user manual.
- Keep this booklet in a safe place for future consultation. If you sell the fixture, be sure to add this user manual.

### Check the contents:

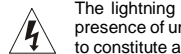
Check that the carton contains the following items:

- Operating instructions
- Multipar (Silver/Black)
- Colour frame
- 4 lenses (very narrow, narrow, medium flood, wide flood) are included

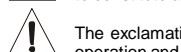
## SAFETY INSTRUCTIONS:



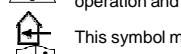
**CAUTION:** To reduce the risk of electric shock, do not remove the top cover. No user-serviceable parts inside. Refer servicing to qualified service personnel only.



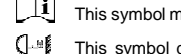
The lightning flash with arrowhead symbol within the equilateral triangle is intended to alert the user or the presence of un-insulated "dangerous voltage" within the product's enclosure that may be of sufficient magnitude to constitute a risk of electric shock.



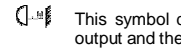
The exclamation point within the equilateral triangle is intended to alert the user to the presence of important operation and maintenance (servicing) instructions in the literature accompanying this appliance.



This symbol means: indoor use only.



This symbol means: Read instructions.



This symbol determines: the minimum distance from lighted objects. The minimum distance between light-output and the illuminated surface must be more than 2 meters.

- To protect the environment, please try to recycle the packing material as much as possible.
- A new light effect sometimes causes some unwanted smoke and/or smell. This is normal and disappears after some minutes.
- To prevent fire or shock hazard, do not expose this appliance to rain or moisture.
- To avoid condensation to be formed inside, allow the unit to adapt to the surrounding temperatures when bringing it into a warm room after transport. Condense sometimes prevents the unit from working at full performance or may even cause damages.
- This unit is for indoor use only.
- Don't place metal objects or spill liquid inside the unit. Electric shock or malfunction may result. If a foreign object enters the unit, immediately disconnect the mains power.

- Locate the fixture in a well ventilated spot, away from any flammable materials and/or liquids. The fixture must be fixed at least 50cm from surrounding walls.
- Don't cover any ventilation openings as this may result in overheating.
- Prevent use in dusty environments and clean the unit regularly.
- Keep the unit away from children.
- Inexperienced persons should not operate this device.
- Maximum save ambient temperature is 40°C. Don't use this unit at higher ambient temperatures.
- The units' surface temperature may reach up to 85°C. Don't touch the housing with bare hands during its operation.
- Make sure the area below the installation place is free from unwanted persons during rigging, de-rigging and servicing.
- Allow the device about 10 minutes to cool down before replacing the bulb or start servicing.
- Always unplug the unit when it is not used for a longer time or before replacing the bulb or start servicing.
- The electrical installation should be carried out by qualified personal only, according to the regulations for electrical and mechanical safety in your country.
- Check that the available voltage is not higher than the one stated on the rear panel of the unit.
- The power cord should always be in perfect condition. Switch the unit immediately off when the power cord is squashed or damaged. It must be replaced by the manufacturer, its service agent or similarly qualified persons in order to avoid a hazard.
- Never let the power-cord come into contact with other cables!
- This fixture must be earthed to in order comply with safety regulations.
- Always use an appropriate and certified safety cable when installing the unit.
- In order to prevent electric shock, do not open the cover. Apart from the lamp there are no user serviceable parts inside.
- **Never** repair a fuse or bypass the fuse holder. **Always** replace a damaged fuse with a fuse of the same type and electrical specifications!
- In the event of serious operating problems, stop using the fixture and contact your dealer immediately.
- The housing and the lenses must be replaced if they are visibly damaged.
- Please use the original packing when the device is to be transported.
- **Due to safety reasons it is prohibited to make unauthorized modifications to the unit.**

**Important:** Never look directly into the light source! Don't use the effect in the presence of persons suffering from epilepsy.

## INSTALLING THE POWER PLUG

When you instal the power plug (at least 2.5A type), you have to connect the wires according to the following color codes:

Green and yellow	=	Earth connection
Blue	=	Neutral
Brown	=	Live

Important remark: this projector must be earthed

## LAMP (RE)PLACEMENT

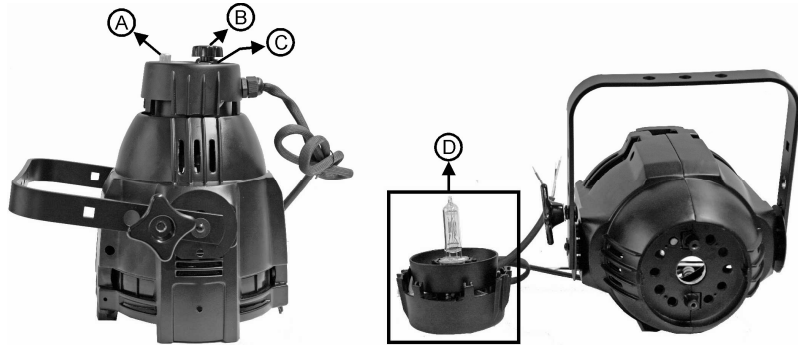


**This projector can only be used with a special HPL 575-X lamp. In case of replacement of the lamp or maintenance, do not open the fixture within 10 minutes until the unit cools down after switching off. Always unplug the unit before servicing! Always use the same type of spare parts (bulbs, etc.) When replacing parts, please only genuine spare parts.**

- Switch off the unit and unplug the mains cable.
  - Wait for about 10 minutes until the unit has been cooled down.
  - Use a screwdriver to unscrew the screw that closes the lamp compartment on the back of the projector (A on the picture below).
  - Tear the lamp socket gently out of the lamp compartment. (See D on the picture below)
  - Unplug the old lamp. Hold the lamp socket while unplugging the lamp
  - Hold the lamp socket while pressing the new lamp gently in the socket.
- Attention!** Check the label on the backside of the device or see the technical specifications in this manual to know which lamp should be used. Never install lamps with a higher wattage! Lamps with higher wattage generate temperatures the device was not designed for. If the device uses a lamp transformer, it will burn due to current overload.
- Don't touch the bulb with bare hands! This drastically shortens the lifespan of the lamp. If you touched the lamp, clean it with a cloth and a little denaturated alcohol. Wipe the lamp off before installing.



- Put the new lamp back inside the unit. Be sure that the wires don't touch the lamp.
- Close the lamp compartment with the screw.
- Loosen both the focus (B on the picture below) and the locking knob (C on the picture below)
- Switch the projector on and turn the focus knob (B) until you get the maximum light output.
- Turn the locking knob (C) counterclockwise until the focus knob is locked.
- Done!



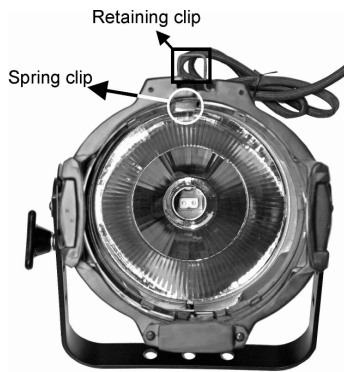
**LENS (RE)PLACEMENT**

The Multipar comes with 4 lenses, each with different beam angle. To keep the maximum light output, change the lens if it becomes scratched or cracked. The name of each lens is printed on the border of the lens:

- Very narrow spot: clear glass, 15° round beam
- Narrow spot: Stipple glass, 19° round beam
- Medium flood: facets (6 x 22mm), 21° x 34° beam
- Wide flood: facets (6 x 12mm), 30° x 51° beam

Installing a lens:

- Keep your Multipar horizontally and turn the plastic rotation ring until the spring clip points to the top of the Multipar, below the retaining clip. (see picture 1)
- Put the lens behind the lens holders (the convex side must be on the inside of the Multipar !!!) and gently push the lens inwards against the spring clip until it clicks. (see picture 2)
- The lens is fixed behind the spring clip. (see picture 3)
- Done!



Picture 1



Picture 2



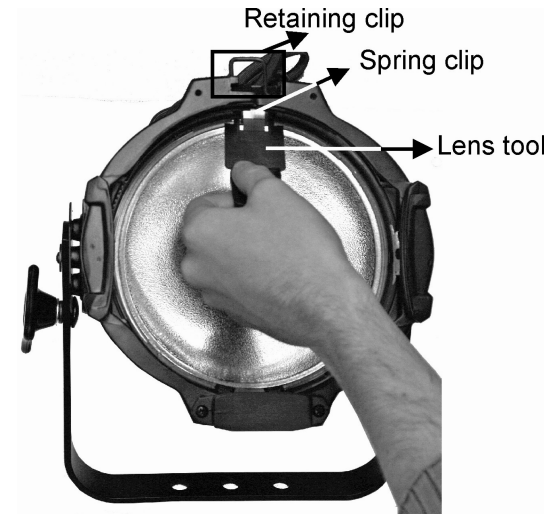
Picture3

Removing a lens:

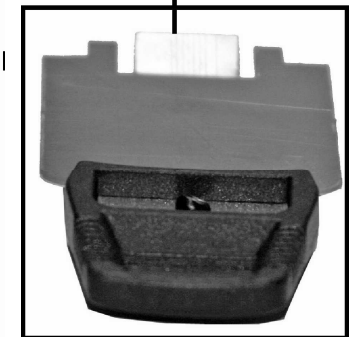
- Make sure the projector has cooled down before removing the lens.
- Keep your Multipar horizontally and turn the plastic rotation ring until the spring clip points to the top of the Multipar, below the retaining clip. (same way like installing the lens)
- Put the lens tool (see pictures below) in the holes besides the spring clip and push the spring clip upwards
- Balance the front of the Multipar a little down and keep your hand under the projector so the lens will not fall on the floor (but nicely in you hand! ☺)
- Done!



Multipar lens tool



The lip must point upwards



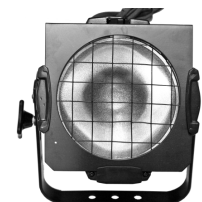
This is the way to put the lens tool in the Multipar to remove the lens

**Important remark:**

When you install the color frame, don't forget to lock it with the retaining clip. This prevents color frames and accessories from falling out.

How to install the color frame correctly:

- Release the retaining clip by pushing it sideways and then up
- Install the color frame
- Press the retaining clip down and sideways to lock it



## OVERHEAD RIGGING

- **Important:** The installation must be carried out by qualified service personal only. Improper installation can result in serious injuries and/or damage to property. Overhead rigging requires extensive experience! Working load limits should be respected, certified installation materials should be used, the installed device should be inspected regularly for safety.
- Make sure the area below the installation place is free from unwanted persons during rigging, de-rigging and servicing.
- Locate the fixture in a well ventilated spot, far away from any flammable materials and/or liquids. The fixture must be fixed at least 50cm from surrounding walls.
- The device should be installed out of reach of people and outside areas where persons may walk by or be seated.
- Before rigging make sure that the installation area can hold a minimum point load of 10times the device's weight.
- Always use a certified safety cable that can hold 12times the weight of the device when installing the unit. This secondary safety attachment should be installed in a way that no part of the installation can drop more than 20cm if the main attachment fails.
- The device should be well fixed; a free-swinging mounting is dangerous and may not be considered!
- Don't cover any ventilation openings as this may result in overheating.
- The operator has to make sure that the safety-relating and machine-technical installations are approved by an expert before using them for the first time. The installations should be inspected every year by a skilled person to be sure that safety is still optimal.

## OPERATING INSTRUCTIONS

- Do not switch the unit on and off in short time intervals as this reduces the lamp life.
- The units' surface temperature may reach up to 85°C. Don't touch the housing with bare-hands during its operation.
- Always unplug the unit when it is not used for a longer time or before replacing the bulb or start servicing.
- In the event of serious operating problems, stop using the fixture and contact your dealer immediately.
- **Important:** Never look directly into the light source! Don't use the effect in the presence of persons suffering from epilepsy.

## MAINTENANCE

- Make sure the area below the installation place is free from unwanted persons during servicing.
- Switch off the unit, unplug the mains cable and wait until the unit has been cooled down.
- **During inspection the following points should be checked:**
- All screws used for installing the device and any of its parts should be tightly fastened and may not be corroded.
- Housings, fixations and installations spots (ceiling, truss, suspensions) should be totally free from any deformation.
- When an optical lens is visibly damaged due to cracks or deep scratches, it must be replaced.
- The mains cables must be in impeccable condition and should be replaced immediately when even a small problem is detected.
- In order to protect the device from overheat the cooling fans (if any) and ventilation openings should be cleaned monthly.
- The interior of the device should be cleaned annually using a vacuum cleaner or air-jet.
- The cleaning of internal and external optical lenses and/or mirrors must be carried out periodically to optimize light output. Cleaning frequency depends on the environment in which the fixture operates: damp, smoky or particularly dirty surroundings can cause greater accumulation of dirt on the unit's optics.
  - Clean with a soft cloth using normal glass cleaning products.
  - Always dry the parts carefully.
  - Clean the external optics at least once every 30 days.
  - Clean the internal optics at least every 90 days.
  - When you clean the reflector, certainly don't use any chemical cleaner. This may harm the reflective coating of the reflector.

**Attention:** We strongly recommend internal cleaning to be carried out by qualified personnel!

## SPECIFICATIONS

Mains Input:	AC 230V, 50Hz
Lamp:	HPL 575-X
Size:	273 x 215 x 279 mm
Weight:	3.4 kg

Every information is subject to change without prior notice

You can download the latest version of this user manual on our website: [www.briteq-lighting.com](http://www.briteq-lighting.com)

# MODE D'EMPLOI

Merci d'avoir choisi ce produit Briteq®. Pour votre sécurité et pour une utilisation optimale de toutes les possibilités de l'appareil, lisez attentivement cette notice avant utilisation.

**EN VOUS INSCRIVANT POUR LA LETTRE D'INFORMATION VOUS SEREZ TOUJOURS TENU AU COURANT DES DERNIERES NOUVELLES CONCERNANT NOS PRODUITS: NOUVEAUTES, ACTIONS SPECIALES, JOURNEES PORTES OUVERTES, ETC.**  
→ SURFEZ SUR: [WWW.BEGLEC.COM](http://WWW.BEGLEC.COM) ←

## CARACTERISTIQUES

Il répond aux exigences nationales et européennes. La conformité a été établie et les déclarations et documents correspondants ont été déposés par le fabricant.

- Cet appareil a été conçu pour la production de jeux de lumières décoratifs et est utilisé dans des spectacles lumineux.
- Projecteur de lumière multifonctionnel.
- Produit la même puissance lumineuse qu'un projecteur de type PAR de 1000 watts. Grâce à sa lampe spéciale HPL 575-X, ce projecteur ne consomme que 575 watts.
- 4 lentilles sont incluses (very narrow, narrow, medium flood, wide flood).
- Disponible en noir ou en gris argenté.
- En option : volets coupe-flux.

## AVANT UTILISATION

- Avant d'utiliser cet appareil, assurez-vous de l'absence de dommages liés au transport. En cas de dommages, n'utilisez pas l'appareil et contactez le vendeur.
- **Important:** Cet appareil a quitté notre usine en parfaite condition et bien emballé. Il est primordial que l'utilisateur suive les instructions de sécurité et avertissements inclus dans ce manuel. La garantie ne s'applique pas en cas de dommage lié à une utilisation incorrecte. Le vendeur ne prend pas la responsabilité des défauts ou de tout problème résultant du fait de n'avoir pas tenu compte des mises en garde de ce manuel.
- Conservez ce manuel dans un endroit sûr pour toute consultation future. Si vous vendez l'appareil, assurez-vous d'y joindre ce manuel également.
- Afin de protéger l'environnement, merci de recycler les emballages autant que possible.

### Vérifiez le contenu:

Vérifiez si l'emballage contient bien les articles suivants:

- Appareil
- Mode d'emploi
- Support pour filtre de couleur.
- 4 lentilles sont incluses (very narrow, narrow, medium flood, wide flood).

## INSTRUCTIONS DE SECURITE:



**CAUTION**  
RISK OF ELECTRIC SHOCK  
DO NOT OPEN



**ATTENTION:** afin de réduire le risque d'électrocution, n'enlevez jamais le couvercle de l'appareil. Il n'y a aucune pièce à l'intérieur de l'appareil que vous puissiez remplacer vous-même. Confiez l'entretien uniquement à des techniciens qualifiés.



La flèche dans un triangle met l'utilisateur en garde contre la présence de haute tension sans isolation dans l'appareil, ce qui peut causer un risque d'électrocution.



Un point d'exclamation dans un triangle prévient de la présence d'instructions relatives au fonctionnement et à la maintenance se trouvant dans le manuel fourni avec l'appareil.



Ce symbole signifie: uniquement pour usage à l'intérieur.



Ce symbole signifie : Lire le mode d'emploi.



Ce symbole représente la distance de recul minimum à respecter, c'est-à-dire, la distance minimum entre le projecteur et la surface à éclairer. Cette distance doit être de plus de 2 mètres.

- Afin de protéger l'environnement, merci de recycler les emballages autant que possible.

- Un effet lumière neuf peut provoquer de la fumée et/ou une odeur non souhaitée, qui devrait disparaître après quelques minutes.
- Afin d'éviter tout risque d'incendie ou de décharge électrique, ne pas exposer cet appareil à la pluie ou à l'humidité.
- Pour éviter la formation de condensation à l'intérieur de l'appareil, patientez quelques minutes pour laisser l'appareil s'adapter à la température ambiante lorsqu'il arrive dans une pièce chauffée après le transport. La condensation empêche l'appareil de fonctionner manière optimale, et elle peut même causer des dommages.
- Cet appareil est destiné à une utilisation à l'intérieur uniquement.
- Ne pas insérer d'objet métallique ou renverser de liquide dans l'appareil. Aucun objet contenant un liquide, tels que des vases, ne peut être placé sur cet appareil. Cela risquerait de provoquer une décharge électrique ou un dysfonctionnement. Si un corps étranger est introduit dans l'appareil, déconnectez immédiatement de la source d'alimentation.
- Aucune source de flamme nue, telle que des bougies allumées, ne peut être placée sur l'appareil.
- Placez l'appareil dans un endroit bien ventilé, éloigné de tout matériau ou liquide inflammable. L'appareil doit être fixé à 50cm minimum des murs.
- Ne pas couvrir les orifices de ventilation, un risque de surchauffe en résulterait.
- Ne pas utiliser l'appareil dans un environnement poussiéreux et le nettoyer régulièrement.
- Ne pas laisser l'appareil à portée des enfants.
- Les personnes non expérimentées ne doivent pas utiliser cet appareil.
- La température ambiante maximale d'utilisation de l'appareil est de 45°C. Ne pas l'utiliser au-delà de cette température.
- La température des parois de l'appareil peut atteindre 85°C. Ne pas toucher ces parois à mains nues en cours de fonctionnement.
- Assurez-vous que la zone au-dessous du lieu d'installation ne comporte pas de personnes non concernées pendant le montage, le démontage et les opérations de maintenance.
- Laissez l'appareil refroidir environ 10 minutes avant de remplacer l'ampoule ou d'effectuer des réparations.
- Débranchez toujours l'appareil si vous ne l'utilisez pas de manière prolongée avant de changer une ampoule ou d'entreprendre des réparations.
- Les installations électriques ne peuvent être faites que par du personnel qualifié et conformément aux règlements de sécurité électrique et mécanique en vigueur dans votre pays.
- Assurez-vous que la tension d'alimentation de la source d'alimentation de la zone dans laquelle vous vous trouvez ne dépasse pas celle indiquée à l'arrière de l'appareil.
- Le cordon d'alimentation doit toujours être en parfait état. Mettez immédiatement l'unité hors tension si le cordon devait être écrasé ou endommagé. Pour éviter tout risque de choc électrique, le cordon doit être remplacé par le constructeur, son agent ou un technicien qualifié.
- Ne laissez jamais le cordon d'alimentation entrer en contact avec d'autres câbles !
- L'appareil doit être à la masse selon les règles de sécurité.
- Utilisez toujours des câbles appropriés et certifiés lorsque vous installez l'appareil.
- Pour éviter toute décharge électrique, ne pas ouvrir l'appareil. En dehors des ampoules, il n'y a pas de pièces pouvant être changées par l'utilisateur à l'intérieur.
- **Ne jamais** réparer ou court-circuiter un fusible. Remplacez **systématiquement** un fusible endommagé par un fusible de même type et ayant les mêmes spécifications électriques !
- En cas de problèmes de fonctionnement sérieux, arrêtez toute utilisation de l'appareil et contactez votre revendeur immédiatement.
- La carrosserie et les lentilles doivent être remplacées si elles sont visiblement endommagées.
- Utilisez l'emballage d'origine si l'appareil doit être transporté.
- Pour des raisons de sécurité, il est interdit d'apporter une quelconque modification à l'unité non spécifiquement autorisée par les parties responsables.

**Important:** Ne jamais fixer directement la source de lumière ! Ne pas utiliser d'effets en présence de personnes souffrant d'épilepsie.

## INSTALLATION DE LA PRISE SECTEUR

Lors du montage de la prise secteur (de type 2.5A au minimum), il y a lieu de connecter les fils en respectant les codes "couleur" suivants :

Vert et jaune	=	connexion à la terre
Bleu	=	neutre
Brun	=	phase

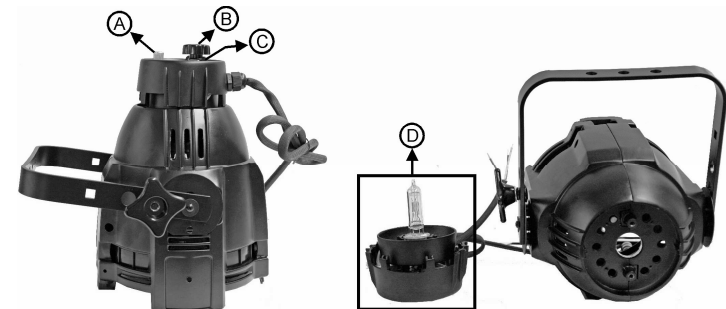
Remarque importante : ce projecteur doit être raccordé à une prise de terre.

## MISE EN PLACE / REMPLACEMENT DES AMPOULES



Ce projecteur ne peut être utilisé qu'exclusivement avec une lampe spéciale, la HPL 575-X. En cas d'opération de maintenance ou de remplacement des ampoules, ne pas ouvrir l'installation dans les 10 minutes suivant la fin de l'utilisation, jusqu'à ce que l'appareil ait refroidi. Débranchez systématiquement l'appareil avant toute opération de maintenance. Utilisez toujours le même type de pièces (ampoules, etc.) Lors du remplacement, n'utilisez que des pièces d'origine.

- Mettez l'unité hors tension et débranchez le câble d'alimentation.
- Attendez environ 10 minutes, jusqu'à ce que l'unité ait refroidi.
- Utilisez un tournevis pour enlever les vis qui ferment le logement de la lampe, à l'arrière du projecteur (se reporter à la figure ci-dessous, lettre A).
- Sortez la douille délicatement du compartiment à ampoules. (se reporter à la figure ci-dessous, lettre D).
- Sortez l'ampoule usagée. Maintenez la douille pendant l'opération.
- Maintenez également la douille lorsque vous mettez la nouvelle ampoule en place. **Attention!** Reportez-vous à l'étiquette à l'arrière de l'appareil ou aux spécifications techniques de ce manuel pour savoir quelle ampoule utiliser. Ne jamais installer d'ampoules à puissance plus élevée! De telles ampoules produisent des températures supérieures à celles pour lesquelles l'appareil a été conçu. Si l'appareil utilise un transformateur, il brûlera en raison de la surcharge induite.
- Ne pas toucher l'ampoule à mains nues! Cela réduirait énormément le cycle de vie de la lampe. Si vous l'avez touchée, nettoyez-la avec un linge et un peu d'alcool dénaturé. Essuyez l'ampoule avant de l'installer.
- Insérez la nouvelle ampoule à l'intérieur de l'appareil. Assurez-vous que les fils ne touchent pas l'ampoule.
- Refermez le compartiment à ampoules à l'aide de la vis.
- Dévissez ET le bouton du 'focus' (se reporter à la figure ci-dessous, lettre B) ET le bouton de verrouillage (se reporter à la figure ci-dessous, lettre C)
- Mettez le projecteur sous tension et faites tourner le bouton du 'focus' (se reporter à la figure ci-dessous, lettre B) jusqu'à ce que vous obteniez le maximum de puissance lumineuse.
- Faites tourner le bouton de verrouillage dans le sens inverse des aiguilles d'une montre jusqu'à ce que le bouton du 'focus' soit verrouillé.
- Et voilà!



## (REM-) PLACEMENT DE LA LENTILLE

Le Multipar est livré avec 4 lentilles, chacune possédant un angle de dispersion différent. Afin d'être en mesure de projeter un maximum de lumière, remplacez (la ou) les lentilles si elles deviennent griffées ou fêlées. Le nom de chaque lentille est imprimé sur le bord de la lentille :

- Very narrow spot : verre clair, rayon cylindrique de 15°.
- Narrow spot : verre pointillé, rayon cylindrique de 19°.
- Medium flood : lentille à facettes (6 x 22mm), rayon de 21° x 34°.
- Wide flood : lentille à facettes (6 x 12mm), rayon de 30° x 51°.

### Installation d'une lentille :

- Maintenez le Multipar horizontalement et faites tourner l'anneau en plastique jusqu'à ce que l'étrier du ressort soit au sommet du Multipar (juste en dessous de l'étrier de maintien). (se reporter à la figure 1)



- Mettez la lentille derrière les supports de lentille (la face convexe doit se trouver vers l'intérieur du Multipar !!!), puis poussez la lentille sans forcer vers l'intérieur, contre l'étrier à ressort jusqu'à ce que le clic se produise. (se reporter à la figure 2)
- A ce moment, la lentille est bloquée derrière l'étrier à ressort. (se reporter à la figure 3)
- C'est terminé !

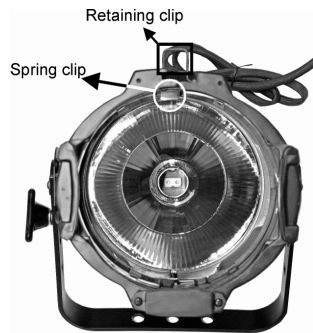


Figure 1



Figure 2



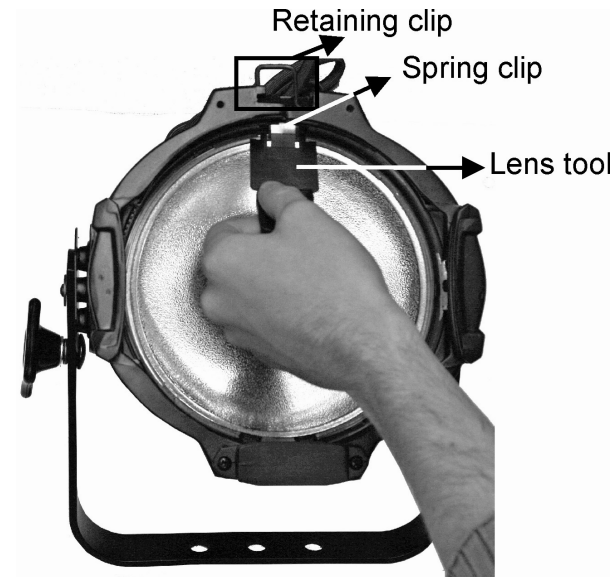
Figure 3

#### Enlèvement d'une lentille :

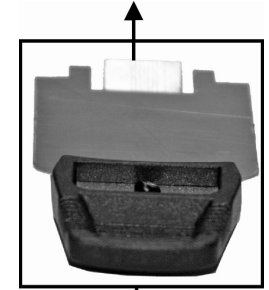
- Assurez-vous que le projecteur a eu le temps de refroidir avant d'enlever une lentille.
- Maintenez le Multipar horizontalement et faites tourner l'anneau en plastique jusqu'à ce que l'étrier du ressort soit au sommet du Multipar (juste en dessous de l'étrier de maintien). (Même procédure que pour installer une lentille)
- Placez l'outil destiné à retirer la lentille (voir la figure ci-contre) dans les trous à côté de l'étrier à ressort et poussez l'étrier à ressort vers le haut.
- Remuez l'avant du Multipar et inclinez-le quelque peu vers le bas tout en gardant une main sous le projecteur de sorte que la lentille ne tombe pas par terre mais délicatement dans votre main ! ☺
- C'est terminé !



Multipar lens tool



Les encoches doivent se trouver vers le haut.



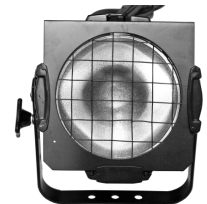
Voici la manière d'introduire dans le Multipar l'outil destiné à retirer la lentille.

#### Remarque importante :

Lorsque l'on installe le support pour filtre de couleur, il ne faut pas oublier de le fixer au moyen de l'étrier de maintien. De cette manière, on évite que les supports pour filtre de couleur et les accessoires ne sortent de leur logement.

#### Comment installer correctement le support pour filtre de couleur :

- Relâchez l'étrier de maintien en le poussant de côté puis vers le haut.
- Placez le support pour filtre de couleur.
- Appuyez sur l'étrier de maintien vers le bas puis de côté pour le remettre en place.



## INSTALLATION EN HAUTEUR

- **Important :** L'installation doit être faite par du personnel qualifié uniquement. Une installation incorrecte peut causer des blessures sévères et/ou endommager l'appareil. L'installation en hauteur exige de l'expérience ! Les limites de charge doivent être scrupuleusement respectées, du matériel d'installation certifié doit être utilisé, et l'appareil installé doit subir des inspections de sécurité régulièrement.
- Assurez-vous que la zone au-dessous du lieu d'installation ne comporte pas de personnes non concernées lors de l'installation, la désinstallation ou la maintenance.
- Placez l'appareil dans un endroit bien ventilé, éloigné de tout matériau ou liquide inflammable. L'appareil doit être fixé à **50cm minimum** des murs situés à proximité.
- L'appareil doit être hors de portée du public et en dehors des zones de passage de personnes ou des zones où le public est installé.
- Avant l'installation, assurez-vous que la zone d'installation pourra supporter, en son point de fixation, un minimum de 10 fois le poids de l'appareil.
- Utilisez systématiquement un câble de sécurité qui peut supporter 12 fois le poids de l'appareil lors de l'installation. Ce câble de sécurité secondaire doit être installé de manière à ce qu'aucune partie de l'appareil ne puisse descendre de plus de 20 cm si le support principal tombe.
- L'appareil doit être bien fixé, un montage à balancement est dangereux et ne devrait pas être pris en considération !
- Ne pas couvrir les orifices de ventilation pour éviter tout risque de surchauffe.
- L'utilisateur doit s'assurer que les installations techniques et de sécurité sont bien approuvées par un expert avant la première utilisation. Les installations doivent être inspectées chaque année par du personnel qualifié pour assurer une sécurité optimale.

## INSTRUCTIONS D'UTILISATION

- Ne pas mettre l'unité sous tension et hors tension à de faibles intervalles, cela réduit la durée de vie des ampoules.
- La surface de l'unité peut atteindre une température de 85°C. Ne pas toucher les parois à mains nues en cours de fonctionnement de l'appareil.
- Débranchez systématiquement l'appareil s'il n'est pas utilisé pour une période prolongée ou avant de changer une ampoule ou d'effectuer des opérations de maintenance.
- En cas de problèmes de fonctionnement sérieux, arrêtez toute utilisation de l'appareil et contactez votre revendeur immédiatement.
- **Important:** Ne jamais fixer directement la source de lumière ! Ne pas utiliser d'effets en présence de personnes souffrant d'épilepsie.

## MAINTENANCE

- Assurez-vous que la zone au-dessous du lieu d'installation ne comporte pas de personnes non concernées lors de la maintenance
- Mettez l'appareil hors tension, débranchez le cordon d'alimentation et attendez que l'appareil ait refroidi.

### Pendant l'inspection, les points suivants doivent être vérifiés :

- Toutes les vis utilisées pour l'installation de l'appareil ou de chacune de ses pièces doivent être bien fixées et non corrodées.
- Les niches, fixations et structures de support (plafond, poutres, suspensions) doivent être totalement intactes, sans aucune déformation.
- Lorsqu'une lentille optique est visiblement endommagée (fissure ou éraflures profondes), elle doit être remplacée.
- Les câbles doivent être en parfait état et doivent être remplacés immédiatement en cas de détection d'un problème, même bénin.
- Pour protéger l'appareil de toute surchauffe, les ventilateurs (le cas échéant) et les orifices de ventilation doivent être nettoyés tous les mois.
- L'intérieur de l'appareil doit être nettoyé chaque année à l'aide d'un aspirateur ou d'un pistolet à air.
- Le nettoyage des lentilles optiques internes et externes et/ou des miroirs doit être effectué périodiquement pour optimiser la production de lumière. La fréquence de nettoyage dépend de l'environnement dans lequel l'appareil fonctionne: des environnements humides, enfumés ou particulièrement sales peuvent entraîner une accumulation de saletés plus importante sur les parties optiques de l'appareil.
  - Nettoyez à l'aide d'un chiffon doux avec des produits de nettoyage pour verres normaux.
  - Séchez toujours les parties soigneusement.
  - Nettoyez les optiques externes ou moins une fois tous les 30 jours.
  - Nettoyez les optiques internes ou moins une fois tous les 90 jours.
  - Lorsque vous nettoyez le réflecteur, assurez-vous de n'utiliser aucun nettoyant chimique. Cela pourrait endommager le revêtement de réflexion du réflecteur.

**Attention:** Nous vous recommandons fortement de faire exécuter le nettoyage interne par du personnel qualifié !

## SPECIFICATIONS

Alimentation:	CA 230V, 50Hz
Ampoules:	HPL 575-X
Dimensions:	273 x 215 x 279mm
Poids:	3.4kg

Chacune de ces informations peut être modifiée sans avertissement préalable. Vous pouvez télécharger la dernière version de ce mode d'emploi de notre site Web: [www.briteq-lighting.com](http://www.briteq-lighting.com)

# GEBRUIKSAANWIJZING

Hartelijk dank voor de aankoop van dit Briteq® product. Om ten volle te kunnen profiteren van alle mogelijkheden en voor uw eigen veiligheid, gelieve de aanwijzingen zeer zorgvuldig te lezen voor U begint het apparaat te gebruiken.

**DOOR U OP ONZE MAILINGLIJST IN TE SCHRIJVEN ONTVANGT U STEEDS DE LAATSTE INFORMATIE OVER ONZE PRODUCTEN: NIEUWIGHEDEN, SPECIALE ACTIES, OPENDEURDAGEN, ENZ.**  
**→ SURF NAAR: [WWW.BEGLEC.COM](http://WWW.BEGLEC.COM) ←**

## KARAKTERISTIEKEN

Dit product voldoet aan de gangbare Europese en nationale voorschriften. Het is vastgesteld dat het apparaat er zich aan houdt en de desbetreffende verklaringen en documenten zijn door de fabrikant afgegeven.

- Het toestel is ontworpen om decoratieve lichteffecten te produceren en kan eventueel worden gebruikt in lichtshows.
- Multifunctionele licht projector.
- Produceert dezelfde lichtuitstoot als een 1000W PAR-projector. Dankzij de speciale HPL 575-X lamp verbruikt deze projector slechts 575 watt.
- 4 lenzen (very narrow, narrow, medium flood, wide flood) zijn inbegrepen
- Verkrijgbaar in zwart of zilver
- Optioneel: barndoors

## VOOR DE IN GEBRUIKNAME

Controleer voor het eerste gebruik van het apparaat of het tijdens het transport beschadigd werd. Mocht er schade zijn, gebruik het dan niet, maar raadpleeg eerst uw dealer.

**Belangrijk:** Dit apparaat verliet de fabriek in uitstekende staat en goed verpakt. Het is erg belangrijk dat de gebruiker de veiligheidsaanwijzingen en raadgevingen in deze gebruiksaanwijzing uiterst nauwkeurig volgt. Elke schade veroorzaakt door verkeerd gebruik van het apparaat valt niet onder de garantie. De dealer aanvaardt geen verantwoordelijkheid voor mankementen en problemen die komen door het veronachtzamen van deze gebruiksaanwijzing. Bewaar deze brochure op een veilige plaats om hem in de toekomst nogmaals te kunnen raadplegen. Indien U het apparaat koopt, denkt U er wel aan om de gebruiksaanwijzing bij te voegen.

### Controleer de inhoud:

Controleer of de doos volgende onderdelen bevat:

- Handleiding
- Multipar (Zilver/Zwart)
- Kleurenframe
- 4 lenzen (very narrow, narrow, medium flood, wide flood)

## VEILIGHEIDSVORSCHRIFTEN:



**CAUTION**  
RISK OF ELECTRIC SHOCK  
DO NOT OPEN



**WAARSCHUWING:** Om het risico op elektrocutie zoveel mogelijk te vermijden mag u nooit de behuizing verwijderen. Er bevinden zich geen onderdelen in het toestel die u zelf kan herstellen. Laat de herstellingen enkel uitvoeren door een bevoegdtechnicus.



De bliksempijl die zich in een gelijkbenige driehoek bevindt is bedoeld om u te wijzen op het gebruik of de aanwezigheid van niet-geïsoleerde onderdelen met een "gevaarlijke spanning" in het toestel die voldoende kracht heeft om een risico van elektrocutie in te houden.



Het uitroepteken binnen de gelijkbenige driehoek is bedoeld om de gebruiker erop te wijzen dat er in de meegeleverde literatuur belangrijke gebruik en onderhoudsinstructies vermeld staan betreffende dit onderdeel.



Dit symbool betekent: het apparaat mag enkel binnenhuis worden gebruikt.



Dit symbool betekent: Lees de handleiding!



Dit symbool bepaalt: de minimumafstand van te belichten voorwerpen. De minimumafstand tussen projector en het verlichte voorwerp moet meer dan 2 meter zijn.

- Om het milieu te beschermen, probeer zoveel mogelijk het verpakkingsmateriaal te recycleren.
- Een nieuw lichteffect kan soms ongewenste rook en/of reuk veroorzaken. Dit is normaal en verdwijnt na een paar minuten.



- Stel dit apparaat niet bloot aan regen of vocht, dit om het risico op brand en elektrische schokken te voorkomen.
- Om de vorming van condensatie binnenin te voorkomen, laat het apparaat aan de omgevingstemperatuur wennen wanneer het, na het transport, naar een warm vertrek is overgebracht. Condensatie kan het toestel soms verhinderen perfect te functioneren. Het kan soms zelfs schade aan het apparaat toebrengen.
- Gebruik dit apparaat uitsluitend binnenshuis.
- Plaats geen stukken metaal en mors geen vocht binnen in het toestel om elektrische schokken of storing te vermijden. Indien een vreemd voorwerp in het apparaat geraakt, moet U het direct van het lichtnet afkoppelen.
- Plaats de installatie op een plaats met goede ventilatie, ver van brandbare materialen en/of vloeistoffen. De installatie moet op minstens 50 cm van de muren rondom geplaatst worden.
- Bedek geen enkele ventilatieopening om oververhitting te vermijden.
- Zorg dat het toestel niet in een stoffige omgeving wordt gebruikt en maak het regelmatig schoon.
- Houd het apparaat uit de buurt van kinderen.
- Dit apparaat mag niet door onervaren personen bediend worden.
- De maximum veilige omgevingstemperatuur is 40°C. Gebruik het apparaat dus niet bij hogere temperaturen.
- De temperatuur van het oppervlak van het apparaat kan 85°C bereiken. Raak de metalen ombouw tijdens het gebruik niet met blote handen aan.
- Verzeker er U van dat er zich onder de plaats waar het toestel wordt geïnstalleerd geen ongewenste personen bevinden tijdens het bevestigen en losmaken alsook bij het onderhoud.
- Laat het toestel ongeveer 10 minuten afkoelen alvorens de lamp te vervangen of alvorens te starten met de onderhoudsbeurt.
- Trek altijd de stekker uit wanneer het apparaat gedurende langere tijd niet wordt gebruikt of alvorens de lamp te vervangen of alvorens te beginnen met de onderhoudsbeurt.
- De elektrische installatie behoort uitsluitend uitgevoerd te worden door bevoegd personeel, volgens de in uw land geldende regels betreffende elektrische en mechanische veiligheid.
- Controleer dat de beschikbare spanning niet hoger is dan die aangegeven op de achterzijde van het toestel.
- De elektrische kabel behoort altijd in uitstekende staat te zijn. Zet het apparaat onmiddellijk af als de elektrische kabel gekneusd of beschadigd is. De kabel moet vervangen worden door de fabrikant zelf, zijn dealer of vergelijkbare bekwaame personen om een brand te voorkomen.
- Laat de elektrische draad nooit in contact komen met andere draden.
- Volgens de veiligheidsvoorschriften moet deze installatie geaard worden.
- Sluit het apparaat niet aan op een elektronische dimmer.
- Gebruik altijd een geschikte en gekeurde veiligheidskabel bij het installeren van het toestel.
- Om elektrische schokken te voorkomen, moet U de behuizing niet openen. Afgezien van de lamp en de zekering zitten er geen onderdelen in die door de gebruiker moeten worden onderhouden.
- Repareer **nooit** een zekering en overbrug de zekeringhouder nooit. Vervang een beschadigde zekering **steeds** door een zekering van hetzelfde type en met dezelfde elektrische kenmerken.
- Ingeval van ernstige problemen met het bedienen van het toestel, stopt U onmiddellijk het gebruik ervan. Contacteer uw dealer voor een eventuele reparatie.
- De behuizing en de lenzen moeten vervangen worden als ze zichtbaar beschadigd zijn.
- Gebruik best de originele verpakking als het toestel vervoerd moet worden.
- Om veiligheidsredenen is het verboden om ongeautoriseerde modificaties aan het toestel aan te brengen.

**Belangrijk:** Kijk nooit rechtstreeks in de lichtbron. Gebruik het lichteffect niet in de tegenwoordigheid van personen die lijden aan epilepsie.

## DE CONTACTSTOP INSTALLEREN

Wanneer u de contactstop installeert (tenminste een 2.5A type), dient u de draden te verbinden volgens de volgende kleurencode

Groen en geel	=	Aarding
Blauw	=	Neutral
Bruin	=	Live

**Belangrijkeopmerking:** deze projector dient geaard te worden.

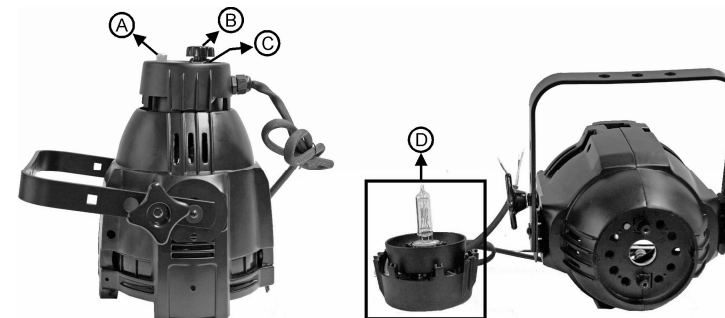
## PLAATSEN OF VERVANGEN VAN DE LAMP



Deze projector kan enkel gebruikt worden in combinatie met een speciale HPL 575-X lamp. **Wacht, in het geval van het vervangen van een lamp of van het geven van een onderhoudsbeurt, 10 minuten na het uitzetten van de installatie met het openen ervan totdat het apparaat is afgekoeld. Trek altijd de stekker uit het stopcontact voor U begint aan het onderhoud. Gebruik altijd hetzelfde type reserveonderdelen (lampen, e.d.) Gebruik bij het vervangen van onderdelen uitsluitend authentieke reserveonderdelen.**



- Zet het toestel af en trek de netstekker uit het stopcontact.
- Wacht 10 minuten tot het apparaat is afgekoeld.
- Gebruik een schroevendraaier om de schroef los te schroeven die het lampcompartiment sluit aan de achterzijde van de projector (zie A op de foto hieronder).
- Trek de lampenhouder voorzichtig uit het lampcompartiment. (Zie D op de foto hieronder)
- Verwijder de oude lamp. Bij het verwijderen van de oude lamp houdt U de lampenhouder vast.
- Houd de lampenhouder vast terwijl U de nieuwe lamp rustig in de lampenhouder drukt. **Opgepast!** Controleer het etiket achter op het toestel of kijk naar de technische karakteristieken in deze gebruikswijzing om te weten welke lamp U moet gebruiken. Gebruik nooit een lamp met een hogere wattage. Lampen met een hogere wattage produceren temperaturen waarvoor het apparaat niet ontworpen was. Als het apparaat een lampentransformator gebruikt, zal hij verbranden wegens de te grote belasting.
- Raak de lamp niet met blote handen aan; dit zal de levensduur van de lamp drastisch verkorten. Indien U de lamp aanraakte, maak hem dan schoon met een lapje en een beetje schoonmaakalcohol. Veeg de lamp droog alvorens hem te installeren.
- Plaats de nieuwe lamp terug in het apparaat. Vergewis U ervan dat geen draden de lamp raken.
- Sluit het lampcompartiment met de schroef.
- Maak de focus knob (zie B op de foto hieronder) en de vergrendelknop (zie C op de foto hieronder) los.
- Schakel de projector aan en draai aan de focus knob (B) totdat u de maximale lichtuitstoot verkrijgt.
- Draai de vergrendelknop (C) tegen de wijsers van de klok in totdat de focus knob vergrendeld is.
- Klaar.



## LENS (HER)PLAATSEN

Bij de Multipar krijgt u 4 lenzen, elk met een andere openingshoek. Om de maximale lichtuitstoot te behouden dient u de lens te vervangen wanneer deze krassen of barsten vertoont. De naam van elke lens staat op de rand van de lens geprint:

- **Very narrow spot:** klaar glas, ronde bundel van 15°
- **Narrow spot:** Gestippeld glas, ronde bundel van 19°
- **Medium flood:** facetten van 6x22mm, ronde bundel van 21° x 34°
- **Wide flood:** facetten van 6x12mm, ronde bundel van 30° x 51°

### Een lens installeren:

- Hou uw Multipar horizontaal en draai de plastic ring tot de spring clip naar de top van de Multipar wijst, onder de retaining clip (see foto 1)
- Plaats de lens achter de lens holders (de convexe zijde (bolle zijde) dient aan de binnenzijde van de Multipar geplaatst te worden !!!) en duw de lens zachtjes naar binnen totdat de spring clip klikt (zie foto 2)
- De lens zit vast achter de spring clip (zie foto 3)
- Klaar!

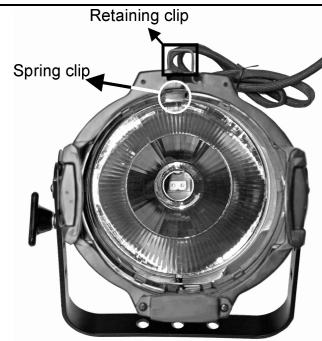


Foto 1



Lens holders  
Foto 2



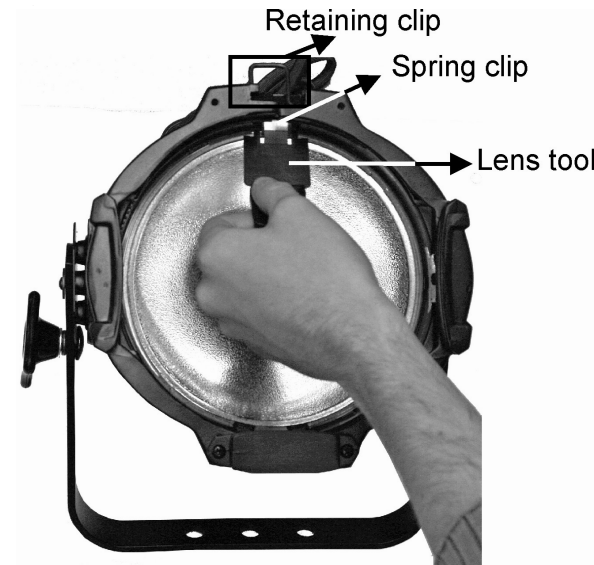
Foto 3

**Een lens verwijderen:**

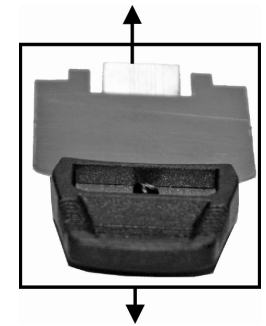
- Wees er zeker van dat de projector afgekoeld is alvorens de lens te verwijderen
- Hou uw Multipar horizontaal en draai de plastic ring totdat de spring clip naar de top van de Multipar wijst, onder de retaining clip (zelfde manier als om de lens te installeren)
- Plaats de lens tool (zie foto's hieronder) in de gaten naast de spring clip en duw de spring clip naar boven.
- Balanceer de voorzijde van de Multipar een beetje naar beneden en hou uw hand onder de projector zodat de lens niet op de grond valt (maar mooi in uw hand ☺)
- Klaar!



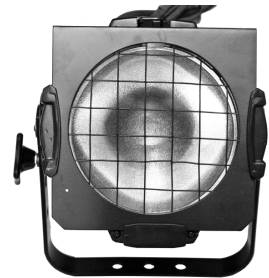
Multipar lens tool



Deze lip moet naar boven wijzen.



Dit is de manier om de lens tool in de Multipar te plaatsen om een lens te verwijderen



**Belangrijkeopmerking:**

Wanneer u de kleuren frame wil installeren, vergeet dan niet op deze te vergrendelen met de retaining clip. Dit voorkomt dat de kleuren frame en accessoires kunnen vallen.

**Hoe de kleuren frame correct installeren:**

- Ontgrendel de retaining clip door het zijwaarts en dan naar boven te duwen.
- Plaats de kleuren frame.
- Vergrendel de retaining clip door deze naar beneden en dan zijwaarts te duwen.

**OPHANGEN VAN HET APPARAAT**

- **Belangrijk:** De installatie van het toestel mag uitsluitend door bekwaam onderhoudspersoneel uitgevoerd worden. Onjuiste plaatsing kan ernstige letsels en/of schade aan eigendommen tot gevolg hebben. Het ophangen vergt veel ervaring. U behoort de grenzen te respecteren aan de werklust; erkende installeringmaterialen moeten worden gebruikt; de veiligheid van het geïnstalleerde toestel moet regelmatig worden gecontroleerd.
- Overtuig U ervan dat het gebied onder installatieplaats vrij is van ongewenste personen tijdens het plaatsen, het weghalen en het onderhoud.
- Installeer het toestel op een goed geventileerde plaats, ver van brandbare stoffen en/of vloeistoffen. Het toestel moet worden bevestigd op **minstens 50 cm** van de omringende muren.
- Het toestel moet worden geïnstalleerd buiten het bereik van iedereen en weg van plaatsen waar men mag lopen en zitten.
- Alvorens tot plaatsen over te gaan, moet men controleren dat de minimum puntbelasting van de installatieplaats 10 keer het gewicht van het toestel bedraagt.
- Gebruik bij het installeren van het toestel altijd een gewaarmerkte veiligheidskabel die 12 keer het gewicht van het toestel kan dragen. Deze bijkomende veiligheidsbevestiging moet zo worden aangebracht dat geen deel van het toestel meer dan 20 cm vallen kan als de hoofdbeveiliging faalt.
- Het apparaat moet goed worden vastgezet; aan een vrij zwaaiende montage mag zelfs niet gedacht worden.
- Bedek geen ventilatieopeningen, anders zou dit oververhitting tot gevolg kunnen hebben.
- De gebruiker moet er zich van verzekeren dat de installaties met betrekking tot de veiligheid en de technische mechaniek door een expert zijn goedgekeurd alvorens ze voor de eerste keer te gebruiken. Elk jaar moeten de installaties worden gekeurd door een vakman om te controleren of de veiligheid nog steeds perfect is.

## BEDIENINGSVOORSCHRIFTEN

- Zet het toestel niet aan en uit met korte tussenpozen omdat de lamp het anders eerder begeeft.
- De oppervlaktetemperatuur van het apparaat kan 85° bereiken. Raak gedurende het bedienen van het apparaat de behuizing niet met blote handen aan.
- Trekt U altijd de stekker uit het stopcontact als het apparaat langere tijd geen dienst doet of alvorens een lamp te vervangen of alvorens een onderhoudsbeurt te beginnen.
- Stop, in geval van serieuze bedieningsproblemen, met het gebruiken van het apparaat en stel U onmiddellijk in verbinding met uw dealer.
- **Belangrijk:** Kijk nooit rechtstreeks in de lichtbron. Gebruik het effect nooit in de aanwezigheid van mensen die aan epilepsie lijden.

## ONDERHOUD

- Overtuig U ervan dat het gebied onder de installatieplaats vrij is van ongewenste personen tijdens het onderhoud.
- Zet het toestel uit, trek de netstekker uit het stopcontact en wacht tot het toestel is afgekoeld.
- **Bij inspectie moeten de volgende punten worden gecontroleerd.**
- Alle schroeven gebruikt om het te toestel te installeren en al zijn onderdelen moeten goed vastgedraaid zijn en mogen niet verroest zijn.
- Behuizingen, vastzetstukken, installeringplaatsen (plafond, spanten, schokbrekers) mogen absoluut niet verwrongen zijn.
- Wanneer een optische lens klaarblijkelijk beschadigd is door barsten of diepe krassen, dan moet deze vervangen worden.
- De stroomkabels moeten in perfecte staat zijn en behoren vervangen te worden, wanneer er zelfs maar een klein probleem ontdekt werd.
- Om het toestel tegen oververhitting te beschermen, behoren de ventilatoren (als die er zijn) en de ventilatieopeningen elke maand gereinigd te worden.
- De binnenkant van het toestel behoort elk jaar gereinigd te worden met een stofzuiger of een luchtspuit.
- Het schoonmaken van inwendige en uitwendige optische lenzen en/of spiegels moet regelmatig worden uitgevoerd om een zo goed mogelijke lichtuitstraling te verkrijgen. Hoe vaak ze schoon moeten worden gemaakt hangt af van de omgeving waar het toestel wordt gebruikt: een klamme, rokerige of bijzonder vuile omgeving kan een grotere opeenhoping van vuil veroorzaken op de optische uitrusting.
  - Reinig met een zachte doek en gebruik normale glasreinigende producten.
  - Droog de onderdelen altijd zorgvuldig af.
  - Reinig de uitwendige optische uitrusting minstens één keer per maand.
  - Reinig de inwendige optische uitrusting minstens om de 3 maanden.
  - Wanneer u de reflector reinigt, gebruik dan zeker geen chemische reiniger. Deze kan de weerspiegelende bekleding van de reflector aantasten

**Let op:** We bevelen sterk aan dat het schoonmaken van de binnenkant wordt uitgevoerd door vakbekwaam personeel!!

## TECHNISCHE KENMERKEN

**Netvoeding:** wisselstroom 230 V, 50 Hz  
**Lamp:** HPL 575-X  
**Afmetingen:** 273 x 215 x 279 mm  
**Gewicht:** 3.4 kg

Elke inlichting kan veranderen zonder waarschuwing vooraf

U kan de laatste versie van deze handleiding downloaden via Onze website: [www.briteq-lighting.com](http://www.briteq-lighting.com)

# BEDIENUNGSANLEITUNG

Vielen Dank, dass Sie sich für den Erwerb dieses Briteq®-Produkts entschieden haben. Bitte lesen sie diese Bedienungsanleitung sorgfältig vor der Inbetriebnahme durch, zur vollen Ausschöpfung der Möglichkeiten, die dieses Gerät bietet sowie, zu Ihrer eigenen Sicherheit.

## EIGENSCHAFTEN

Das Gerät ist funkenstört und erfüllt die Anforderungen der europäischen und nationalen Bestimmungen. Entsprechende Dokumentation liegt beim Hersteller vor.

- Das Gerät ist zur Erzeugung von dekorativem Licht sowie zur Benutzung in Lightshows bestimmt.
- Multifunktionscheinwerfer.
- Erzeugt die gleiche Lichtausbeute wie ein 1000 W PAR-Scheinwerfer. Dank der speziellen HPL 575-X Lampe verbraucht der Scheinwerfer nur 575Watt.
- inklusive 4 Linsen (very narrow, narrow, medium flood, wide flood)
- Verfügbare in schwarz und silbern
- Wahlweise: Torflügel

## VOR DER ERSTBENUTZUNG

- Vor der Erstbenutzung bitte das Gerät zuerst auf Transportschäden überprüfen. Sollte das Gerät einen Schaden aufweisen, Gerät bitte nicht benutzen, sondern unverzüglich mit ihrem Händler in Verbindung setzen.
- **Wichtiger Hinweis:** Das Gerät hat das Werk unbeschädigt und gut verpackt verlassen. Es ist wichtig, dass der Benutzer sich streng an die Sicherheitshinweise und Warnungen in der Bedienungsanleitung hält. Schäden durch unsachgemäße Handhabung sind von der Garantie ausgeschlossen. Der Händler übernimmt keine Verantwortung für Schäden, die durch Nichtbeachtung der Bedienungsanleitung hervorgerufen wurden.
- Die Bedienungsanleitung, für zukünftiges Nachschlagen, bitte aufbewahren. Bei Verkauf oder sonstiger Weitergabe des Gerätes, bitte Bedienungsanleitung beifügen.

### Packungsinhalt prüfen:

Bitte überprüfen Sie, dass die Packung folgende Einzelteile enthält:

- Bedienungsanleitung
- Multipar (Silber/Schwarz)
- Filterrahmen
- inklusive 4 Linsen (very narrow, narrow, medium flood, wide flood)

## SICHERHEITSHINWEISE



**CAUTION**  
RISK OF ELECTRIC SHOCK  
DO NOT OPEN



**ACHTUNG:** Um sich nicht der Gefahr eines elektrischen Schlags auszusetzen, entfernen Sie keines der Gehäuseteile. Im Geräteinneren befinden sich keine vom Benutzer reparierbaren Teile. Überlassen Sie Reparaturen dem



qualifizierten Kundendienst.  
Das Blitzsymbol im Dreieck weist den Benutzer darauf hin, dass eine Berührung Gefahr mit nicht isolierten Teilen im Geräteinneren, welche eine gefährliche Spannung führen, besteht. Die Spannung ist so hoch, dass hier die Gefahr eines elektrischen Schlags besteht.



Das Ausrufezeichen im Dreieck weist den Benutzer auf wichtige Bedienungs- und Wartungshinweise in den Dokumenten hin, die dem Gerät beiliegen.



Dieses Symbol bedeutet: Nur innerhalb von Räumen verwenden.



Dieses Symbol bedeutet: Achtung! Bedienungsanleitung lesen!



Dieses Symbol stellt fest: der minimale Abstand von beleuchteten Gegenständen. Der minimale Abstand zwischen Projektor und dem belichteten Gegenstand muss mehr als 2 Meter sein.

- Aus Umweltschutzgründen, Verpackung bitte wiederverwenden, oder richtig trennen.
- Ein neues Gerät kann Geruch oder Rauch entwickeln. Das ist völlig normal und legt sich nach einigen Minuten.
- Zur Vermeidung von Stromschlag oder Feuer, Gerät bitte nicht Regen oder Feuchtigkeit aussetzen.
- Zur Vermeidung von Kondensation im Inneren des Geräts, bitte nach Transport in eine warme Umgebung einige Zeit zum Temperaturengleich bringen. Kondensation kann zu Leistungsverlust des Gerätes oder gar Beschädigung führen.
- Gerät nicht im Freien und in feuchten Räumen und Umgebungen verwenden.

- Keine Metallgegenstände oder Flüssigkeiten ins Innere des Geräts gelangen lassen, Kurzschluss oder Fehlfunktion können die Folge sein. Falls es doch einmal vorkommen sollte, bitte sofort Netzstecker ziehen und vom Stromkreis trennen.
- Gerät nur in gut belüfteter Position und nicht in der Nähe von entflammaren Materialien oder Flüssigkeiten betreiben. Mindestabstand an allen Seiten soll mindestens 50 cm sein.
- Ventilationsöffnungen nicht abdecken, da Überhitzungsgefahr!
- Nicht in staubiger Umgebung verwenden und regelmäßig reinigen.
- Für Kinder unerreichbar aufbewahren.
- Unerfahrene Personen sollen das Gerät nicht bedienen.
- Umgebungstemperatur darf 40°C nicht überschreiten.
- Die Oberflächentemperatur kann bis zu 85°C erreichen, Gerät während des Betriebs nicht mit bloßen Händen anfassen.
- Sicherstellen, dass sich während des Auf- und Abbaus keine unbefugten Personen unterhalb des Geräts befinden.
- Vor dem Auswechseln des Leuchtmittels oder sonstigen Eingriffen, 10 Minuten Abkühlzeit einhalten.
- Stets Netzstecker ziehen, wenn Gerät für längeren Zeitraum nicht genutzt, oder es gewartet wird.
- Elektrische Anschlüsse nur durch qualifiziertes Fachpersonal überprüfen lassen.
- Sicherstellen, dass Netzspannung mit Geräteaufkleber übereinstimmt.
- Gerät nicht mit beschädigtem Netzkabel betreiben. Ist die Zugangsleitung beschädigt, muss diese durch den Hersteller, seinen Vertrieb oder durch eine Qualifizierte Person ersetzt werden.
- Netzkabel nicht mit anderen Kabeln in Berührung kommen lassen!
- Zur Einhaltung der Sicherheitsbestimmungen muss das Gerät geerdet sein.
- Ausschließlich vorschriftsmäßige Kabel zur Installation verwenden.
- Gerät nicht öffnen. Abgesehen vom Austausch des Leuchtmittels sind keine zu wartenden Bauteile im Gerät enthalten.
- Sicherung **niemals** reparieren oder überbrücken, sondern **immer** mit gleichartiger Sicherung ersetzen!
- Bei Fehlfunktion, Gerät nicht benutzen und mit Händler in Verbindung setzen.
- Bei sichtbaren Beschädigungen müssen Gehäuse und Optiker ersetzt werden.
- Bei Transport bitte Originalverpackung verwenden, um Schäden am Gerät zu vermeiden.
- Aus Sicherheitsgründen dürfen an dem Gerät keine unbefugten Veränderungen vorgenommen werden.

**Wichtiger Hinweis:** Nicht direkt in die Lichtquelle blicken! Gerät nicht verwenden, wenn sich Personen im Raum befinden, die unter Epilepsie leiden.

## NETZSTECKER MONTIEREN

Wenn Sie den Netzstecker (Mindestbelastbarkeit 2.5A) montieren, müssen Sie die Adern entsprechend der folgenden Farbuordnung verbinden:

Grün und gelb	=	Erdung
Blau	=	Neutral
Braun	=	Stromführend

Wichtiger Hinweis: dieser Scheinwerfer muss geerdet sein

## EINSETZEN/AUSTAUSCHEN DER LICHTQUELLE

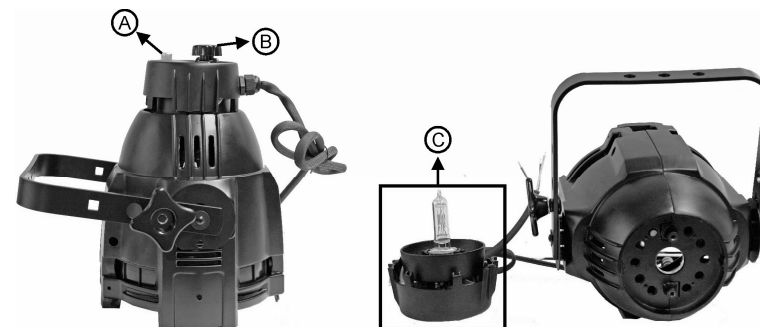


Der vorliegende Scheinwerfer kann nur mit einer speziellen HPL 575-X Lampe betrieben werden. Bei Austausch oder Ersatz der Lichtquelle Gerät für mindestens 10 Minuten abkühlen lassen. Stets Netzstecker ziehen und vom Stromkreis trennen! Stets gleichartige Ersatzteile (Lichtquelle, etc) verwenden. Original-Ersatzteile verwenden.

- Gerät abschalten und Netzstecker ziehen.
- Etwa 10 Minuten abwarten, bis das Gerät abgekühlt ist.
- Verwenden Sie einen Schraubendreher, um die Schraube am Lampenfach an der Rückseite des Scheinwerfers zu lösen (siehe A auf nachfolgender Abbildung). Den Fokusknopf ebenfalls mit der Hand durch drehen lösen (Siehe B auf nachfolgender Abbildung)
- Vorsichtig aus dem Fach herausziehen. (Siehe C auf nachfolgender Abbildung)
- Gebrauchtes Leuchtmittel herausziehen. Hierbei an der Fassung festhalten.
- An der Fassung festhalten, wenn ein neues Leuchtmittel eingesetzt wird.
- Achtung!** Geräteaufkleber auf der Rückseite des Geräts oder technische Einzelheiten in dieser Bedienungsanleitung beachten, damit stets das richtige Leuchtmittel eingesetzt wird. Keine Leuchtmittel mit höherer Wattanzahl einsetzen! Diese Leuchtmittel erzeugen höhere Temperaturen, für die dieses Gerät nicht ausgelegt ist. Hat das Gerät einen Transformator, kann dieser wegen Überlastung durchbrennen.
- Leuchtmittel nicht mit bloßen Händen berühren! Das verkürzt die Lebensdauer der Lichtquelle



- erheblich. Falls es doch einmal vorkommen sollte, mit etwas Alkohol reinigen und vor dem Einsetzen gut abreiben.
- Neues Leuchtmittel einsetzen und sicherstellen, dass es nicht von Kabeln berührt wird.
- Fach wieder zuschrauben. (mit dem Schraubendreher und mit der Hand)
- Schalten Sie den Scheinwerfer an und drehen Sie den großen Fokusknopf auf der Rückseite des Scheinwerfers (siehe B auf nachfolgender Abbildung) bis Sie eine maximale Lichtausbeute erhalten.
- Fertig!



## LINSE EINBAUEN/AUSTAUSCHEN

Der Multipar hat 4 Linsen mit jeweils unterschiedlichen Abstrahlungswinkeln. Um eine maximale Lichtausbeute zu behalten, sollten Sie die Linse austauschen, sobald sie Kratzer oder Risse aufweist. Die Bezeichnung jeder Linse ist am Rand der Linse aufgedruckt:

- Very narrow spot: Klarglas, 15° runde Strahlform
- Narrow spot: Kornrastrer, 19° runde Strahlform
- Medium flood: Facetten (6 x 22mm), 21° x 34° Strahl
- Wide flood: Facetten (6 x 12mm), 30° x 51° Strahl

Einsetzen einer Linse:

- Halten Sie Ihren Multipar waagrecht und drehen Sie den Kunststoffring bis sich die Federklammer [spring clip] oben am Multipar (unter der Halteklammer [retaining clip]) befindet. (Siehe Abbildung 1)
- Setzen Sie die Linse hinter die Linsenhalter [lens holders] (die gewölbte Seite muss nach Innen in den Multipar gedreht sein!!!) und drücken Sie die Linse sanft nach Innen gegen die Federklammer bis sie einrastet. (Siehe Abbildung 2)
- Die Linse ist hinter der Federklammer befestigt. (Siehe Abbildung 3)
- Fertig!

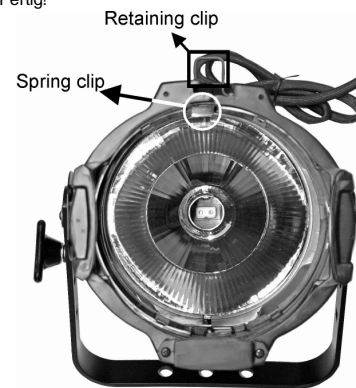


Abbildung 1



Abbildung 2



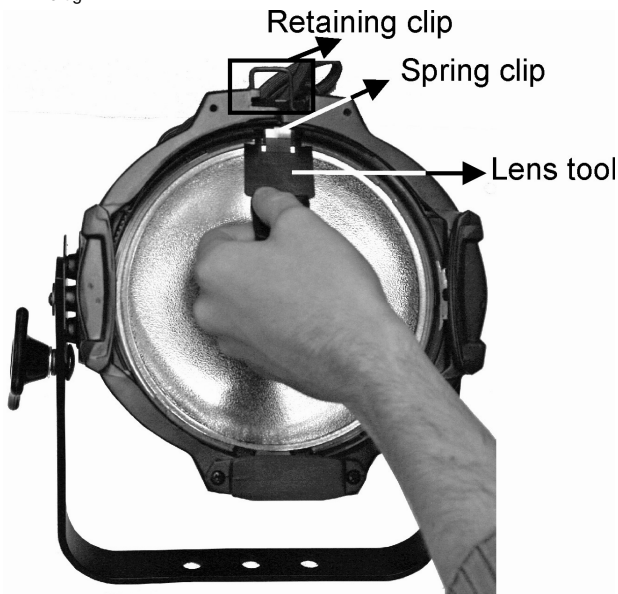
Abbildung 3

**Ausbauen einer Linse:**

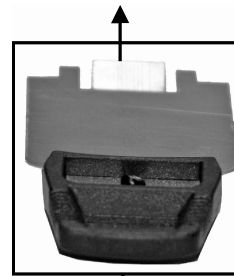
- Achten Sie darauf, dass der Scheinwerfer abgekühlt ist, bevor Sie die Linse herausnehmen.
- Halten Sie den Multipar waagrecht und drehen Sie den Kunststoffring, bis sich die Federklammer oben am Multipar unter der Halteklammer befindet. (Gleiche Vorgehensweise wie beim Einbau der Linse)
- Stecken Sie das Linsen-Entfernwerkzeug [lens tool] (siehe nachfolgende Abbildungen) in die Löcher neben der Federklammer und drücken Sie die Federklammer nach unten.
- Kippen Sie die Vorderseite des Multipars leicht nach vorne und halten Sie Ihre Hand unter den Scheinwerfer, so dass die Linse nicht auf den Boden fallen kann (aber schön in Ihre Hand! ☺)
- Fertig!



Multipar lens tool



Die Lasche muss nach oben zeigen

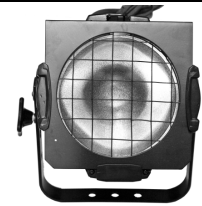


So muss das Linsen-Entfernwerkzeug in den Multipar eingeführt werden

**Wichtiger Hinweis:** Wenn Sie den Filterrahmen montieren, vergessen Sie nicht, ihn mit der Halteklammer zu befestigen. Auf diese Weise wird verhindert, dass Filterrahmen und Zubehör herausfallen.

Wie wird der Filterrahmen korrekt montiert:

- Lösen Sie die Halteklammer, indem Sie sie zur Seite und dann nach oben drücken
- Bringen Sie den Filterrahmen an
- Drücken Sie die Halteklammer nach unten und zur Seite um sie wieder festzusetzen

**ÜBERKOPF-MONTAGE**

- **Wichtig:** Montage ausschließlich durch qualifiziertes Fachpersonal durchführen lassen. Unvorschriftsmäßiger Einbau kann erhebliche Verletzungen und/oder Schäden verursachen. Überkopf-Montage verlangt entsprechende Erfahrung! Belastungsgrenzen müssen beachtet werden, geeignetes Installationsmaterial muss verwendet werden und das installierte Gerät muss in regelmäßigen Abständen überprüft werden.
- Sicherstellen, dass sich keine unbefugten Personen unterhalb des Geräts befinden, während es installiert oder gewartet wird.
- Gerät in gut belüfteter Position installieren, weit entfernt von entflammaren Materialien und/oder Flüssigkeiten. Einen Seitenabstand von **mindestens 50cm** einhalten.
- Gerät außerhalb der Reichweite von Personen, und nicht in niedrigen Durchgängen oder in der Nähe von Sitzgelegenheiten installieren.
- Vor Montage sicherstellen, dass die gewählte Position wenigstens das 10-fache Gerätegewicht aufnehmen kann.
- Zur Aufhängung stets geeignetes Befestigungsmaterial verwenden, das das 12-fache Gerätegewicht aushalten kann. Eine zweite Sicherungsaufhängung muss angebracht werden, die ein Absacken des Geräts von mehr als 20 cm verhindert, sollte die Befestigung brechen.
- Gerät gut befestigen. Eine freischwingende Aufhängung ist gefährlich und sollte auf gar keinen Fall in Betracht gezogen werden!
- Ventilationsöffnungen nicht abdecken, da Überhitzungsgefahr!
- Betreiber muss sicherstellen, dass die sicherheitsrelevanten und technischen Installationen vor Erstbetrieb fachmännisch vorgenommen worden sind.
- Installationen sollten jährlich durch qualifiziertes Fachpersonal inspiziert werden, um jederzeit einen sicheren Betrieb zu gewährleisten.

**BEDIENUNGSANLEITUNG**

- Gerät nicht in kurzen Abständen ein- und ausschalten, da es die Lebensdauer des Leuchtmittels verkürzt.
- Die Oberflächentemperatur kann bis zu 85°C erreichen, Gerät während des Betriebes nicht mit bloßen Händen anfassen.
- Stets Netzstecker ziehen, wenn Gerät für längeren Zeitraum nicht genutzt, oder es gewartet wird.
- Bei Fehlfunktion Gerät nicht benutzen und umgehend mit ihrem Händler in Verbindung setzen.
- **Wichtiger Hinweis:** Nicht direkt in die Lichtquelle blicken! Gerät nicht verwenden, wenn sich Personen im Raum befinden, die unter Epilepsie leiden.

**WARTUNG UND INSTANDHALTUNG**

- Sicherstellen, dass sich keine unbefugten Personen unterhalb des Geräts befinden, während es gewartet wird.
- Gerät ausschalten, Netzstecker ziehen und warten, bis es sich abgekühlt hat.
- **Während der Wartung sind folgende Punkte ganz besonders zu beachten:**
- Sämtliche Schrauben zur Installation und Befestigung jeglicher Teile müssen fest angezogen und rostfrei sein.
- Gehäuse, Befestigungsmaterialien und Aufhängungen (Decke, Balken, abgehängte Decken) dürfen keine Anzeichen von Verformung zeigen.
- Ist die Optik sichtbar beschädigt (Sprünge oder tiefe Kratzer), dann müssen die entsprechenden Teile ausgewechselt werden.
- Netzkabel muss stets in einwandfreiem Zustand sein und selbst bei kleinsten Beschädigungen erneuert werden.
- Zur Vermeidung von Überhitzung müssen die Ventilatoren (sofern vorhanden) und Lüftungsschlitze monatlich gereinigt werden.
- Gerät innen mindestens einmal pro Jahr mit Staubsauger oder Airjet reinigen.
- Reinigung der inneren und äußeren optischen Linsen und/oder Spiegel müssen in regelmäßigen Abständen zur Beibehaltung einer optimalen Lichtausbeute vorgenommen werden. Reinigungsintervalle hängen stark von der Umgebung ab: feuchte, verräucherte und besonders verschmutzte Umgebung führen zu größerer Verschmutzung auf den Linsen.
  - Mit weichem Tuch und gewöhnlichem Glasreiniger säubern.
  - Alle Teile stets gut abtrocknen.
  - Äußere Optik mindestens alle 30 Tage säubern.
  - Innere Optik mindestens alle 90 Tage säubern.
  - Verwenden Sie für die Reinigung des Scheinwerfers auf keinen Fall chemische Reinigungsmittel. Sie könnten den reflektierenden Belag des Scheinwerfers beschädigen.



**Achtung:** Wir empfehlen dringend, Reinigung im Innern des Geräts nur von qualifiziertem Personal durchführen zu lassen!

## TECHNISCHE EINZELHEITEN

Netzspannung:	≈ 230V, 50Hz
Lichtquelle:	HPL 575-X
Abmessungen:	273 x 215 x 279 mm
Gewicht:	3.4 kg

Technische Änderungen können auch ohne Vorankündigung vorgenommen werden!  
Sie können sich die neueste Version dieses Benutzerhandbuchs von unserer Website herunterladen:  
[www.briteq-lighting.com](http://www.briteq-lighting.com)

# MANUAL DE FUNCIONAMIENTO

Gracias por comprar este producto Briteq®. Para sacar el máximo rendimiento a sus posibilidades y por su propia seguridad, lea estas instrucciones de funcionamiento detenidamente antes de comenzar a utilizar esta unidad.

## CARACTERÍSTICAS

Este producto cumple los requisitos de las directrices nacionales y europeas actuales. Se ha establecido la conformidad y las instrucciones y documentos correspondientes han sido depositados por el fabricante.

- Este dispositivo ha sido diseñado para producir efectos luminosos decorativos y se utiliza en sistemas de espectáculos de luces.
- Proyecto de luz multifuncional.
- Genera la misma emisión luminosa que un proyector PAR de 1000 W. Gracias a la lámpara especial HPL 575-X, este proyector sólo consume 575 vatios.
- Se incluyen 4 lentes (haz muy estrecho, estrecho, iluminación media y ancha).
- Disponible en negro o plata
- Opcional: pantallas opacas

## ANTES DE UTILIZAR EL APARATO

- Antes de comenzar a utilizar esta unidad, compruebe que no haya habido daños durante el transporte. Si observa algún daño, no utilice el dispositivo y consulte primero a su distribuidor.
- **Importante:** Este dispositivo ha salido de nuestras instalaciones en perfecto estado y bien embalado. Es absolutamente necesario que el usuario siga estrictamente estas instrucciones y advertencias de seguridad que aparecen en este manual de usuario. Cualquier daño producido por un manejo innecesario queda excluido de la garantía. El distribuidor no asumirá ninguna responsabilidad por cualquier defecto o problema que surja por no haber seguido el manual de usuario.
- Guarde este folleto en un lugar seguro para consultarlo en el futuro. Si vende este aparato más adelante, asegúrese de incluir este manual de usuario.

### Compruebe el contenido:

Compruebe que la caja contiene los siguientes elementos:

- Instrucciones de funcionamiento
- Multipar (Plata/Negro)
- Cuadro de color
- Se incluyen 4 lentes (haz muy estrecho, estrecho, iluminación media y ancha).

## INSTRUCCIONES DE SEGURIDAD:



**PRECAUCIÓN:** Para reducir el riesgo de descarga eléctrica, no quite la cubierta superior. No existen piezas en el interior que pueda mantener o reparar el usuario. Asigne el mantenimiento y las reparaciones a personal cualificado.



El símbolo en forma de rayo con cabeza de flecha dentro de un triángulo equilátero se emplea para alertar sobre el uso o presencia de "voltaje peligroso" no aislado dentro de la carcasa del producto con la magnitud suficiente para constituir un riesgo de descarga eléctrica.



El signo de exclamación dentro del triángulo equilátero se emplea para alertar al usuario de la presencia de instrucciones de funcionamiento y mantenimiento importantes en el texto que acompaña a este aparato.



Este símbolo indica: Usar sólo en el interior.



Este símbolo indica: Leer las instrucciones.



Este símbolo indica: La distancia mínima de objetos iluminados. La distancia mínima entre la emisión luminosa y la superficie iluminada tiene que ser más de 2 metros. (Comprobar)

- Para proteger el medio ambiente, recicle el material de embalaje en la medida de lo posible.
- Un nuevo efecto luminoso provoca a veces humo y/u olor no deseados. Esto es normal y desaparece después de algunos minutos.
- Para evitar incendios o riesgos de descarga, no exponga la unidad a la lluvia o a la humedad.
- Para evitar que se forme condensación en el interior, deje que la unidad se adapte a la temperatura exterior cuando la lleve a una habitación cálida después del transporte. A veces la condensación impide que la unidad funcione a pleno rendimiento y puede incluso provocar daños.



- Esta unidad sólo se puede usar en el interior.
- No coloque objetos metálicos ni derrame líquidos dentro del reproductor de la unidad. Se pueden producir descargas eléctricas o fallos de funcionamiento. Si algún objeto extraño entra en la unidad, desconecte inmediatamente el suministro eléctrico.
- Coloque el aparato en un lugar bien ventilado, lejos de materiales y/o líquidos inflamables. El aparato debe colocarse a al menos 50 cm de las paredes.
- No cubra ninguna abertura de ventilación puesto que podría producirse un sobrecalentamiento de la unidad.
- Evite el uso en ambientes con polvo y limpie la unidad regularmente.
- Mantenga la unidad lejos de los niños.
- Las personas sin experiencia no deben utilizar este aparato.
- La máxima temperatura ambiente para un funcionamiento seguro es de 40°C. No utilice la unidad a temperaturas ambiente superiores.
- La temperatura de la superficie de la unidad puede alcanzar hasta 85°C. (Comprobar) No toque la carcasa sin protección durante el funcionamiento.
- Asegúrese de que debajo del área del lugar de instalación no hay personas durante el montaje, desmontaje o mantenimiento.
- Deje que el aparato se enfríe durante al menos 10 minutos antes de reemplazar la bombilla o comenzar el mantenimiento.
- Desenchufe siempre la unidad cuando no vaya a ser utilizada durante un largo periodo de tiempo o antes de reemplazar la bombilla o comenzar el mantenimiento.
- La instalación eléctrica sólo debe ser llevada a cabo por personal cualificado, de acuerdo con las regulaciones sobre seguridad eléctrica y mecánica de su país.
- Compruebe que el voltaje disponible no supera el que se indica en el panel trasero de la unidad.
- El cable de alimentación siempre debe estar en perfecto estado. Apague la unidad inmediatamente cuando observe daños o desperfectos en el cable de alimentación. Debe ser reemplazado por el fabricante, su agente de servicio o personas cualificadas para evitar cualquier peligro.
- ¡Nunca deje que el cable de alimentación entre en contacto con otros cables!
- Este aparato debe conectarse a tierra para cumplir con las regulaciones sobre seguridad.
- Utilice siempre un cable de seguridad apropiado y homologado cuando instale la unidad.
- Para evitar descargas eléctricas, no abra la cubierta. Aparte de la lámpara no hay piezas en el interior de este aparato que pueda mantener el usuario.
- **Nunca** repare un fusible ni derive el soporte del fusible. ¡Reemplace **siempre** el fusible dañado por un fusible del mismo tipo y especificación eléctrica!
- En caso de que ocurran problemas de funcionamiento serios, deje de utilizar el aparato y póngase en contacto con su distribuidor inmediatamente.
- La carcasa y la lente deben reemplazarse si presentan daños visibles.
- Utilice el embalaje original cuando tenga que transportar el dispositivo.
- Por razones de seguridad se prohíbe realizar modificaciones no autorizadas en la unidad.

**Importante:** ¡Nunca mire directamente a la fuente de luz! No utilice el efecto en presencia de personas epilépticas.

### INSTALACIÓN DEL ENCHUFE DE ALIMENTACIÓN:

Cuando instale el enchufe de alimentación (al menos del tipo 2,5 A), debe conectar los cables de acuerdo con los siguientes códigos de colores:

Verde y amarillo	=	Conexión a tierra
Azul	=	Neutral
Marrón	=	Con corriente

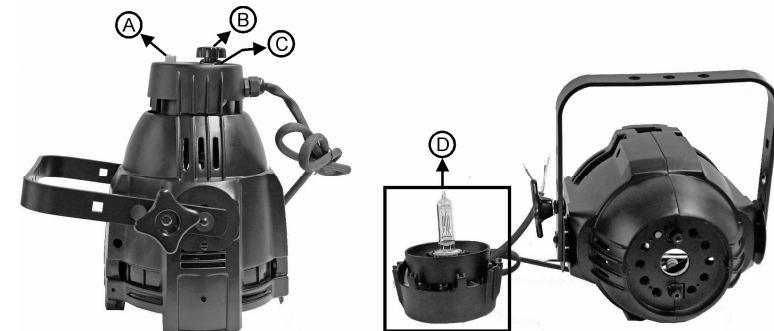
**Observación importante:** este proyector debe conectarse a tierra

### REEMPLAZO Y COLOCACIÓN DE LA LÁMPARA



Este proyector sólo puede utilizarse con una lámpara especial HPL 575-X. Cuando tenga que reemplazar la lámpara o realizar el mantenimiento de ésta, no abra el aparato hasta 10 minutos después de haberla apagado para que se enfríe. ¡Desconecte siempre la unidad antes de realizar el mantenimiento! Utilice siempre el mismo tipo de piezas de repuesto (bombillas, etc.) Cuando reemplace piezas, utilice sólo piezas de repuesto originales.

- Apague la unidad y desenchufe el cable de red.
- Espere unos 10 minutos hasta que la unidad se haya enfriado.
- Utilice un destornillador para desenroscar el tornillo que cierra el compartimento de la lámpara en la parte trasera del proyector (consulte A en la imagen de abajo).
- Desprenda suavemente el casquillo de la lámpara del compartimento de la lámpara. (Consulte D en la imagen de abajo)
- Desconecte la lámpara vieja. Sujete el casquillo de la lámpara mientras desconecta la lámpara, sujete el casquillo de la lámpara mientras empuja suavemente la lámpara nueva en el casquillo. **¡Atención!** Compruebe la etiqueta en el lado posterior del dispositivo o lea las especificaciones técnicas en este manual para saber qué lámpara utilizar. ¡Nunca instale lámparas con un vatiaje superior! Las lámparas con un vatiaje superior generan temperaturas para las que el dispositivo no ha sido diseñado. Si utiliza un transformador de lámpara, se quemará debido a la sobrecarga de corriente.
- ¡No toque la bombilla sin protegerse las manos! Esto reduce drásticamente la vida útil de la lámpara. Si ha tocado la lámpara, límpiela con un paño y alcohol de quemar. Limpie la lámpara antes de instalarla.
- Vuelva a colocar la nueva lámpara dentro de la unidad. Asegúrese de que los cables no toquen la lámpara.
- Cierre el compartimento de la lámpara con el tornillo.
- Afloje los del focus (B en la imagen inferior) y aprete el botón (C en la imagen inferior)
- Encienda el proyector y gire el botón del focus (B) hasta que usted consiga la luz máxima .
- Gire el botón(C) que se cierra en sentido contrario a las agujas del reloj hasta que esté bloqueado.
- ¡Ya está!



### SUSTITUCIÓN Y COLOCACIÓN DE LALENTE

El Multipar incluye 4 lentes, cada una de ellas con un ángulo de haz diferente. Para mantener la máxima emisión luminosa, cambie la lente si se raya o cuartea. El nombre de cada lente viene impreso en el borde de la lente:

- **Haz muy estrecho:** vidrio claro, haz redondo de 15°
- **Haz estrecho:** vidrio punteado, haz redondo de 19°
- **Iluminación media:** facetas (6 x 22 mm), haz 21° x 34°
- **Iluminación ancha:** facetas (6 x 12 mm), haz 30° x 51°

#### Instalación de la lente:

- Mantenga el Multipar horizontalmente y gire el aro de plástico hasta que el clip de resorte esté orientado hacia la parte superior del Multipar, por debajo del clip de retención. (Consulte la imagen 1)
- Coloque la lente debajo de los soportes de lente (el lado convexo debe estar en el interior del Multipar) y empuje suavemente la lente hacia dentro contra el clip de resorte hasta que haga clic. (Consulte la imagen 2)
- La lente queda fijada detrás del clip de resorte. (Consulte la imagen 3)
- ¡Ya está!

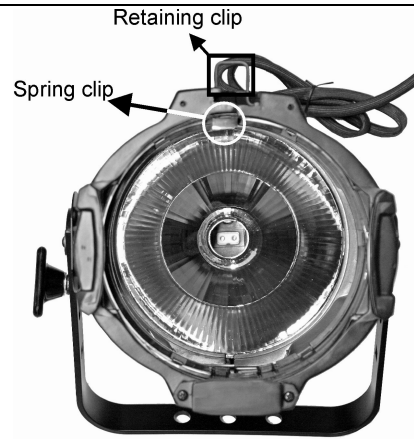


Imagen 1



Imagen 2



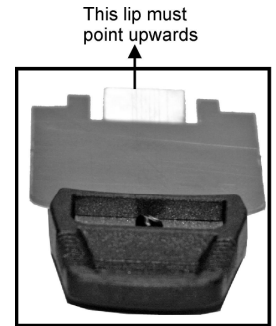
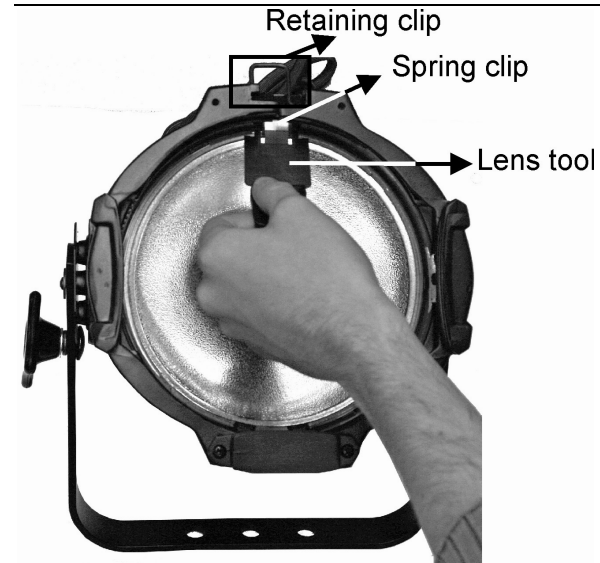
Imagen 3

**Extracción de la lente:**

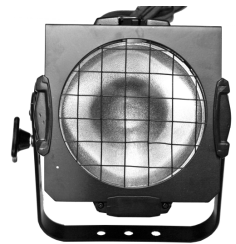
- Asegúrese de que el proyector se ha enfriado antes de quitar la lente.
- Mantenga el Multipar horizontalmente y gire el aro de plástico hasta que el clip de resorte esté orientado hacia la parte superior del Multipar, por debajo del clip de retención. (De la misma forma que para instalar la lente)
- Coloque la herramienta de la lente (consulte las imágenes de abajo) en los agujeros al lado del clip de resorte y empuje el clip de resorte hacia arriba.
- Equilibre la parte delantera del Multipar un poco hacia abajo y mantenga su mano debajo del proyector para que la lente no se caiga al suelo (sino en su mano suavemente©)
- ¡Ya está!



Multipar lens tool



This is the way to put the lens tool in the multipar to remove the lens.



**Observación importante:**

Cuando instale el cuadro de color, no olvide bloquearlo con el clip de retención. esto evita que los cuadros de color y los accesorios se caigan.

**Cómo instalar correctamente el cuadro de color:**

- Suelte el clip de retención empujándolo hacia los lados y luego hacia arriba
- Instale el cuadro de color
- Empuje el clip de retención hacia abajo y hacia los lados para bloquearlo

**MONTAJE SUPERIOR**

- **Importante:** La instalación sólo debe llevarse a cabo por personal técnico cualificado. Una instalación incorrecta puede provocar lesiones graves y/o daños en la propiedad. ¡El montaje superior requiere mucha experiencia! Deben respetarse los límites de carga de funcionamiento, deben utilizarse materiales de instalación homologados, el dispositivo instalado debe inspeccionarse regularmente por su seguridad.
- Asegúrese de que debajo del área del lugar de instalación no hay personas durante el montaje, desmontaje o mantenimiento.
- Coloque el aparato en un lugar bien ventilado, lejos de materiales y/o líquidos inflamables. El aparato debe colocarse a al menos 50 cm de las paredes.
- El dispositivo debe instalarse lejos del alcance de las personas y de las áreas exteriores donde éstas puedan andar o sentarse.
- Antes del montaje asegúrese de que el área de la instalación puede soportar una carga mínima de 10 veces el peso de la unidad.
- Utilice siempre un cable de seguridad homologado que pueda soportar 12 veces el peso del dispositivo cuando instale la unidad. Este accesorio de seguridad secundario debe instalarse de forma que ninguna pieza de la instalación pueda caerse más 20 cm si falla el accesorio principal.
- El dispositivo debe fijarse correctamente; ¡un montaje con giro libre es peligroso y no debe considerarse!
- No cubra ninguna abertura de ventilación puesto que podría producirse un sobrecalentamiento de la unidad.
- El operario debe asegurarse de que las instalaciones relacionadas con la seguridad son aprobadas por un experto antes de utilizarlas por primera vez. Las instalaciones deberán inspeccionarse anualmente por una persona cualificada para asegurar que la seguridad es óptima.

## INSTRUCCIONES DE FUNCIONAMIENTO

- No encienda ni apague la unidad en intervalos cortos de tiempo puesto que esto reduce la vida útil de la lámpara.
- La temperatura de la superficie de la unidad puede alcanzar hasta 85°C. No toque la carcasa sin protección durante el funcionamiento. (Comprobar)
- Desenchufe siempre la unidad cuando no vaya a ser utilizada durante un largo periodo de tiempo o antes de reemplazar la bombilla o comenzar el mantenimiento.
- En caso de que ocurran problemas de funcionamiento serios, deje de utilizar el aparato y póngase en contacto con su distribuidor inmediatamente.
- **Importante:** ¡Nunca mire directamente a la fuente de luz! No utilice el efecto en presencia de personas epilépticas.

## MANTENIMIENTO

- Asegúrese de que debajo de la zona del lugar de instalación no haya personas durante el mantenimiento.
- Apague la unidad, desenchufe el cable de red y espere hasta que la unidad se haya enfriado.
- **Durante la inspección deberá comprobar los siguientes puntos:**
- Todos los tornillos utilizados para instalar el dispositivo y cualquiera de sus piezas deberán apretarse firmemente y no corroerse.
- Las carcasas, las fijaciones y los puntos de instalación (techo, suspensiones) no deberán presentar ninguna deformidad.
- Cuando una lente óptica esté visiblemente dañada por grietas o rasguños profundos, deberá ser reemplazada.
- Los cables de red deberán estar en perfecto estado y deberán reemplazarse inmediatamente incluso si el problema detectado es pequeño.
- Para proteger al aparato del sobrecalentamiento, las aletas de refrigeración (si las hubiera) y las aberturas de ventilación deberán limpiarse mensualmente.
- El interior del dispositivo deberá limpiarse anualmente mediante una aspiradora o chorro de aire.
- La limpieza de las lentes internas y externas y/o espejos deberá llevarse a cabo periódicamente para optimizar la emisión luminosa. La frecuencia de limpieza depende del entorno en el que funcione el aparato: los ambientes húmedos, con humo o especialmente sucios pueden provocar una mayor acumulación de suciedad en los elementos ópticos del aparato.
  - Limpie con un paño suave utilizando productos de limpieza de cristales normales.
  - Seque siempre las piezas con cuidado.
  - Limpie los elementos ópticos externos al menos una vez cada 30 días.
  - Limpie los elementos ópticos internos al menos una vez cada 90 días.
  - Cuando limpie el reflector, no utilice productos químicos. Esto puede dañar el revestimiento reflectante del reflector.

**Atención:** ¡Le recomendamos encarecidamente que la limpieza interna sea llevada a cabo por personal cualificado!

## ESPECIFICACIONES

Entrada de red:	CA 230V, 50Hz
Lámpara:	HPL 575-X
Tamaño:	273 x 215 x 279 mm
Peso:	3.4 kg

Toda la información está sujeta a cambios sin previo aviso

Puede descargar la última versión de este manual de usuario en nuestra página Web: [www.briteq-lighting.com](http://www.briteq-lighting.com)

# MANUAL DO UTILIZADOR

Obrigado por ter adquirido este produto da Briteq®. De modo a tirar total proveito das possibilidades deste produto, por favor leia este manual com atenção.

## CARACTERÍSTICAS

Este produto cumpre as exigências impostas pelas presentes directivas nacionais e europeias. A conformidade deste produto foi comprovada e as declarações e documentos relevantes foram efectuados pelo fabricante.

- Esta unidade destina-se a produzir efeitos luminosos decorativos e é utilizada em sistemas de espectáculos de luz.
- Projector de luz multi funcional
- Produz a mesma intensidade de luz de um projector PAR 64 1000W. Graças a sua lâmpada especial HPL 575-X este projector apenas consome 575Watt.
- 4 Lentes (muito fechado, fechado, médio, e dispersão larga) estão incluídas
- Disponível em Preto e Cromado
- Opcional: Palas

## ANTES DE UTILIZAR

- Antes de utilizar esta unidade verifique se existem danos provocados durante o transporte. Caso existam danos aparentes, não utilize a unidade e contacte o seu revendedor.
- **Importante:** Esta unidade deixou a nossa fábrica em perfeitas condições e devidamente embalada. É imprescindível que o utilizador siga as instruções de segurança e avisos descritos neste manual. Quaisquer danos provocados por utilização incorrecta não serão cobertos pela garantia. O revendedor não será responsável por quaisquer danos ou problemas causados pelo incumprimento das instruções deste manual.
- Guarde este manual num local seguro para consulta futura. Caso venda esta unidade, forneça este manual.

### Verifique o conteúdo:

Certifique-se que a caixa contém os seguintes artigos:

- Manual do utilizador
- Multipar (Cromado/Preto)
- Porta filtros
- 4 Lentes (muito fechado, fechado, médio, e dispersão larga) estão incluídas

## INSTRUÇÕES DE SEGURANÇA:



**ATENÇÃO:** De forma a evitar o risco de choque eléctrico, não remova peças da unidade. Não tente fazer reparações. Contacte pessoal qualificado.



O símbolo composto por um triângulo equilátero com um relâmpago no interior alerta para a presença de voltagem perigosa não isolada no interior do produto que poderá constituir risco de choque eléctrico.



O símbolo composto por um triângulo equilátero com um ponto de exclamação alerta o utilizador para a presença de instruções importantes de utilização e manutenção do produto.



Este símbolo significa: utilização unicamente em espaços fechados.



Este símbolo significa: Leia instruções.



Este símbolo determina: a distância mínima dos objectos iluminados. A distância mínima entre o projector e o objecto iluminado deve ser mais de 2 metros.

- Proteja o ambiente. Recicle o material desta embalagem.
- Os efeitos luminosos novos podem por vezes produzir algum fumo e/ou cheiro desagradável. Esta situação é normal e temporária.
- De modo a evitar risco de fogo ou choque eléctrico, não exponha este produto a chuva ou humidade.
- De forma a evitar a formação de condensação no interior da unidade, ao transportá-la para ambiente quente aguarde algum tempo de modo a que haja uma ambientação à temperatura. A condensação poderá afectar o desempenho da unidade ou até danificá-la.
- Esta unidade destina-se unicamente a utilização em espaços fechados.
- Não introduza objectos de metal nem verta líquidos no interior do produto, correrá risco de choque eléctrico ou poderá danificar o produto. Caso algum objecto estranho entre em contacto com o interior da unidade, desligue-a de imediato da corrente.

- Coloque esta unidade num local arejado, afastado de materiais inflamáveis e/ou líquidos. Esta unidade deverá ser instalada a pelos menos 50cm de distância de paredes circundantes.
- Não cubra os orifícios de ventilação ou a unidade poderá sobreaquecer.
- Evite locais com poeiras. Limpe a unidade regularmente.
- Mantenha esta unidade fora do alcance das crianças.
- Esta unidade deverá ser operada unicamente por pessoas experientes.
- Temperatura ambiente de funcionamento máxima é de 40°C. Não utilize esta unidade a temperaturas ambientes mais elevadas.
- A temperatura da superfície da unidade pode alcançar os 85°C. Não toque na cobertura da unidade com mãos descobertas durante o funcionamento.
- Certifique-se de que não irão passar pessoas sob a área de instalação da unidade durante a instalação e manutenção.
- Aguarde cerca de 10 minutos para que a unidade arrefeça antes de substituir a lâmpada ou de efectuar a manutenção.
- Desligue sempre a unidade da corrente quando não a utilizar durante longos períodos de tempo, antes de substituir a lâmpada ou de efectuar manutenção.
- A instalação eléctrica deve ser efectuada unicamente por pessoal qualificado, cumprindo os regulamentos de segurança em instalações eléctricas e mecânicas do seu país.
- Certifique-se que a voltagem a utilizar não é superior à voltagem indicada no painel traseiro da unidade.
- O cabo de alimentação deverá estar sempre em perfeitas condições. Desligue a unidade e substitua imediatamente o cabo caso este apresente algum dano. Deverá ser substituído pelo fabricante, pelo agente autorizado ou pessoal qualificado de modo a evitar um acidente.
- Nunca permita que este cabo entre em contacto com outros cabos!
- Esta unidade deverá estar ligada à Terra de forma a respeitar as regras de segurança.
- Utilize sempre um cabo de segurança aprovado ao instalar a unidade.
- De forma a não correr risco de choque eléctrico não abra a cobertura da unidade. À excepção da lâmpada não existem peças que possam ser substituídas pelo utilizador.
- **Nunca** repare um fusível nem tente operar a unidade sem fusível. Substitua **sempre** um fusível danificado por outro com as mesmas características!
- Em caso de problemas sérios de funcionamento, interrompa a utilização da unidade e contacte imediatamente o seu revendedor.
- A cobertura e as lentes deverão ser substituídas caso apresentem danos visíveis.
- Caso seja necessário transportar a unidade utilize a embalagem original.
- Por motivos de segurança, são proibidas quaisquer alterações não autorizadas à unidade.

**Importante:** Nunca olhe directamente para a luz! Não utilize este efeito luminoso na presença de pessoas epilépticas.

## COMO INSTALAR A FICHA DE ALIMENTAÇÃO

Quando instala a ficha de alimentação (no mínimo tipo 2.5A), tem de conectar os fios de acordo com os seguintes códigos de cores:

Verde e amarelo	=	Ligação Terra
Azul	=	Neutro
Castanho	=	Fase

**Nota importante:** Este projector tem de ser ligado à terra.

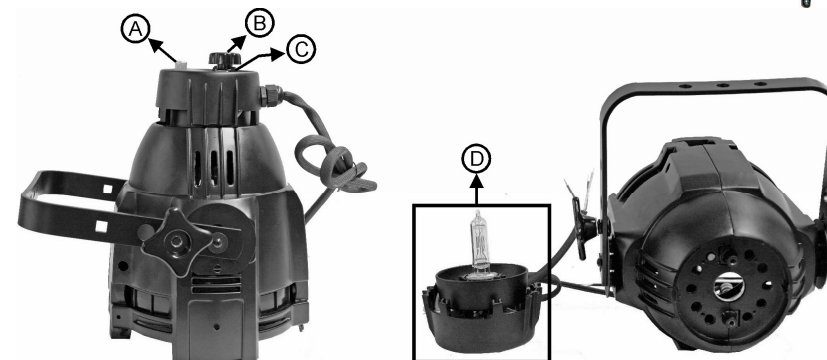
## COLOCAR/SUBSTITUIR A LÂMPADA



Este projector apenas pode ser usado com uma lâmpada especial HPL 575-X. Em caso de substituição da lâmpada ou manutenção, aguarde 10 minutos após desligar a unidade. Desligue sempre a unidade da corrente antes de efectuar a manutenção! Utilize sempre peças suplentes com as mesmas características (lâmpadas, etc). Utilize unicamente peças originais.

- Desligue o cabo de alimentação.
- Aguarde cerca de 10 minutos para que a unidade arrefeça.
- Use uma chave de parafusos para desaparafusar o parafuso que fecha o compartimento da lâmpada na parte de trás do projector (ver A na figura em baixo)
- Retire cuidadosamente o conector do compartimento da lâmpada. (Ver D na figura em baixo)
- Ao retirar a lâmpada usada, segure o conector.
- Segure o conector e insira cuidadosamente a lâmpada.

- **Atenção!** Verifique o rótulo na parte de trás da unidade ou consulte as especificações descritas neste manual para saber que lâmpada deve utilizar. Nunca instale lâmpadas com nível de watts superior ao indicado! Lâmpadas com nível de watts superior geram temperatura que a unidade não está preparada para suportar. Caso a unidade utilize um transformador de lâmpada, este irá danificar-se devido a sobrecarga de corrente.
- Não toque no interior do reflector da lâmpada com as mãos descobertas, caso contrário irá diminuir drasticamente a sua duração! Caso toque na lâmpada com as mãos, limpe-a utilizando um pano e álcool antes de efectuar a instalação.
- Coloque a nova lâmpada no interior da unidade. Certifique-se que os fios não tocam na lâmpada.
- Feche o compartimento da lâmpada.
- Desaperte ambos os botões, o de focagem (B na figura em baixo) e o de travão (C na figura em baixo).
- Ligue o projector e gire o botão de focagem (B) até que tenha a máxima intensidade de luz.
- Gire o botão de travão (C) no sentido contrário dos ponteiros do relógio até que o botão de focagem esteja fechado.
- Operação concluída!



## COLOCAR/SUBSTITUIR LENTES

O Multipar vem com 4 lentes, cada uma com um ângulo de luz diferente. Para manter o máximo de intensidade, mude as lentes se ficarem riscadas ou estaladas. O nome de cada lente é impresso na aba da lente.

- **Very narrow spot:** vidro claro, feixe redondo com 15°
- **Narrowspot:** vidro martelado, feixe redondo com 19°
- **Medium flood:** vidro facetado (6 x 22mm), feixe com angulo 21° x 34°
- **Wideflood:** vidro facetado (6 x 12mm), 30° x 51°

### Como colocar uma lente:

- Mantenha o seu Multipar horizontalmente e gire o anel de plástico até que o grampo de mola aponte para o topo do Multipar, por baixo do grampo de retenção (veja a figura 1)
- Coloque as lentes por detrás dos suportes da lente (o lado convexo deverá ficar no interior do Multipar !!!) e gentilmente empurre para dentro contra o grampo de mola até que este faça clique (ver figura 2)
- A lente é fixada por detrás do grampo de mola. (ver figura 3)
- Feito!

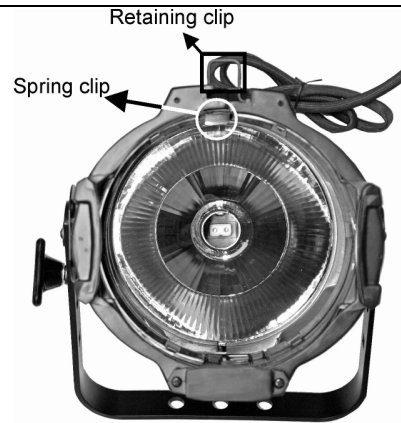


Figura 1



Figura 2



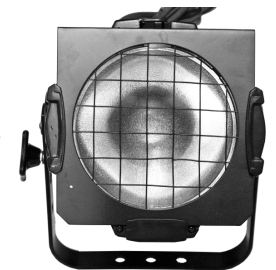
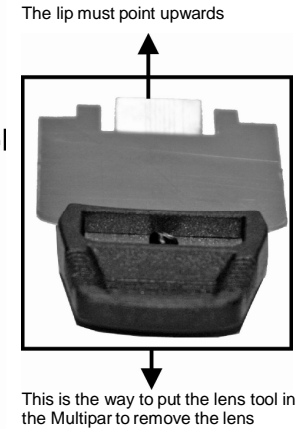
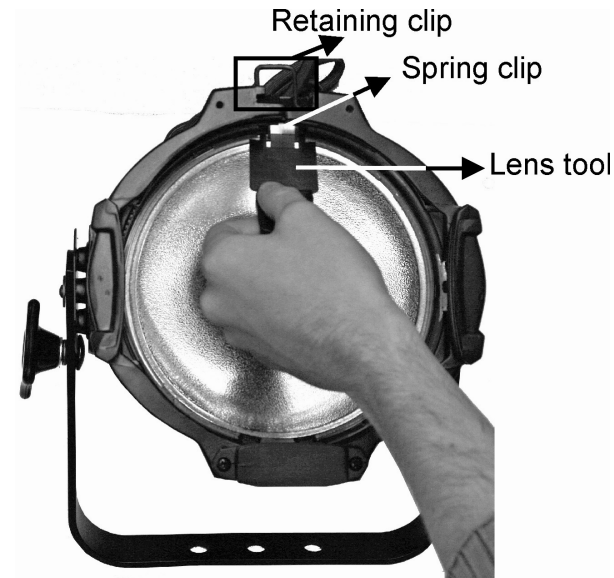
Figura 3

**Como remover uma lente:**

- Tenha a certeza que o projector arrefeceu antes de remover as lentes.
- Mantenha o seu Multipar horizontalmente e gire o anel de plástico até que o grampo de mola aponte para o topo do Multipar, por baixo do grampo de retenção (mesma maneira como instalar uma lente).
- Coloque a ferramenta das lentes (ver figuras em baixo) nos orifícios ao lado do grampo de mola e empurre o grampo de mola para cima.
- Balance a frente do Multipar um pouco para baixo e mantenha a sua mão por baixo do projector para que a lente não caia no chão (mas gentilmente na sua mão! ☺)
- Feito!



Multipar lens tool



**Nota importante:**

Quando coloca o porta filtros, não se esqueça de o trancar com o grampo de retenção. Este evita que o porta filtros e os acessórios de cair.

**Como instalar o porta filtros correctamente:**

- Liberte o clip retentor pressionando-o lateralmente e depois para cima.
- Instale o porta-filtros
- Pressione o grampo de retenção para baixo e lateralmente para o trancar.

**INSTALAÇÃO EM SUSPENSÃO**

- **Importante:** A instalação deve ser efectuada unicamente por pessoal qualificado. Uma instalação incorrecta pode resultar em ferimentos graves e/ou danos na sua propriedade. Para efectuar uma instalação em suspensão é necessária muita experiência! Respeite os limites de carga, utilize materiais de instalação aprovados e inspeccione a unidade instalada regularmente de forma a assegurar a segurança.
- Certifique-se que sob a área de instalação da unidade não irão passar pessoas durante a instalação e manutenção.
- Coloque esta unidade num local arejado, afastada de materiais inflamáveis e/ou líquidos. Esta unidade deverá ser instalada a **pelos menos 50cm** de distância de paredes circundantes.
- A unidade deve ser instalada fora do alcance das pessoas; afastada de áreas onde as pessoas possam passar ou sentar-se.
- Antes de proceder à instalação certifique-se que a área seleccionada pode suportar uma carga mínima de 10 vezes o peso da unidade.
- Na instalação, utilize sempre um cabo de segurança aprovado com capacidade para suportar 12 vezes o peso da unidade. Esta medida de segurança secundária deverá ser instalada de forma a que nenhuma parte da instalação possa cair mais de 20cm caso o ponto de apoio principal ceda.
- A unidade deverá ser fixa firmemente. Uma instalação oscilante pode ser perigosa e não deverá ser efectuada!
- Não cubra os orifícios de ventilação ou a unidade poderá sobreaquecer.
- O utilizador da unidade deverá certificar-se que a instalação é aprovada em termos de segurança e em termos técnicos por uma pessoa qualificada antes de efectuar a primeira utilização. A instalação deverá ser inspeccionada todos os anos por um técnico qualificado de forma a certificar-se que a segurança está assegurada.

## INSTRUÇÕES DE FUNCIONAMENTO

- Não ligue e desligue a unidade em curtos períodos de tempo, irá reduzir a duração da lâmpada.
- A temperatura da superfície da unidade pode alcançar os 85°C. Não toque na cobertura da unidade com mãos descobertas durante o funcionamento.
- Desligue sempre a unidade da corrente quando não a utilizar durante longos períodos de tempo, antes de substituir a lâmpada ou de efectuar a manutenção.
- Caso a unidade apresente problemas sérios de funcionamento, interrompa a utilização da unidade e contacte o seu revendedor imediatamente.
- **Importante:** Nunca olhe directamente para a luz! Não utilize este efeito luminoso na presença de pessoas epilépticas.

## MANUTENÇÃO

- Certifique-se que sob a área de instalação da unidade não irão passar pessoas durante a manutenção.
- Desligue o cabo de alimentação da corrente e aguarde que a unidade arrefeça.

### Durante a inspeção deverá verificar os seguintes pontos:

- Todos os parafusos utilizados nas peças da unidade e na instalação deverão estar apertados firmemente e não poderão estar corroídos.
- A cobertura da unidade, os pontos de fixação e as áreas de instalação (tecto, armação, etc.) não deverão apresentar qualquer deformação.
- Caso uma lente apresente danos visíveis como fendas ou riscos profundos, deverá ser substituída imediatamente.
- O cabo de alimentação deverá estar em perfeitas condições e deverá ser substituído assim que for detectado o mais pequeno dano.
- As ventoinhas de arrefecimento (caso existam) e os orifícios de ventilação deverão ser limpos todos os meses de modo a evitar que unidade sobreaqueça.
- Utilize um aspirador ou um compressor de ar para limpar o interior da unidade uma vez por ano.
- De forma a otimizar a projecção de luz, limpe as lentes ópticas internas e externas e/ou espelhos periodicamente. A regularidade das limpezas depende do ambiente em que está instalada a unidade: um ambiente húmido, com fumo ou poeirento dará origem a uma maior acumulação de impurezas nas ópticas da unidade.
  - Utilize um pano macio e um limpa-vidros normal na limpeza da unidade.
  - Seque sempre as peças cuidadosamente.
  - Limpe as ópticas externas pelo menos uma vez em cada 30 dias.
  - Limpe as ópticas internas pelo menos uma vez em cada 90 dias.
  - Quando limpa o reflector, certamente não use nenhum produto químico. Isto poderá danificar a camada reflectora do reflector.

**Atenção:** Recomendamos vivamente que a limpeza do interior da unidade seja efectuada por pessoal qualificado!

## ESPECIFICAÇÕES

Fonte de Alimentação:	AC 230V, 50Hz
Lâmpada:	HPL 575-X
Dimensões:	273 x 215 x 279 mm
Peso:	3.4 kg

Estas informações estão sujeitas a alterações sem aviso prévio

Pode fazer download da versão mais recente deste manual no nosso site: [www.briteq-lighting.com](http://www.briteq-lighting.com)