

# Solar LED



Operation Manual EN  
Mode d'emploi FR  
Gebruiksaanwijzing NL  
Bedienungsanleitung DE  
Manual de instrucciones ES  
Manual do utilizador PT

[WWW.BEGLEC.COM](http://WWW.BEGLEC.COM)

Copyright © 2008 by BEGLEC cva.

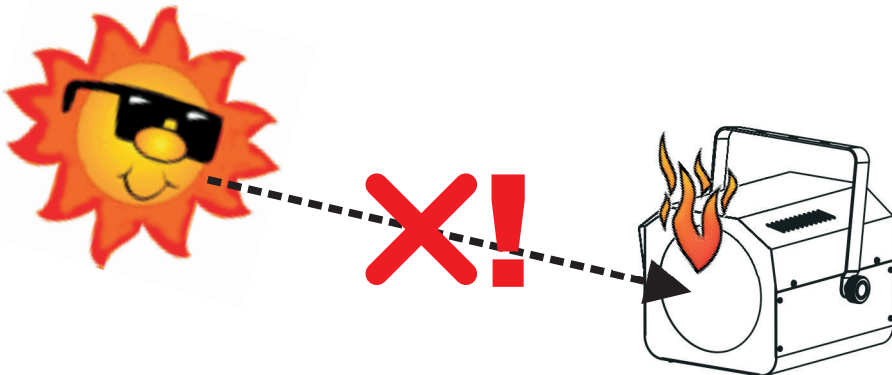
Reproduction or publication of the content in any manner, without express permission of the publisher, is prohibited.



Version: 1.3

**JBSYSTEMS**  
Light

# DANGER ~ GEVAAR ~ GEFAHR ~ PELIGRO ~ PERIGO



**WARNING: DANGER!** never expose the lens to direct sunlight, even for a short period. This may damage the light effect or even cause fire!

**ATTENTION: DANGER!** n'exposez jamais la lentille directement aux rayons de soleil, même pendant un bref instant. Ceci peut endommager l'intérieur de l'appareil ou même causer un incendie !

**OPGELET : GEVAAR !** stel de lens nooit bloot aan direct zonlicht, zelfs gedurende een korte periode. Dit kan het toestel beschadigen en zelfs brand veroorzaken!

**WARNUNG: GEFAHR!** Setzen sie die Linse niemals direkter Sonneneinstrahlung aus, auch nicht für eine kurze Zeit ! Die direkte Sonneneinstrahlung kann das Gerät zerstören oder zum brennen bringen!

**ADVERTENCIA: ¡PELIGRO!** ¡nunca exponga la lente a la luz solar directa, aún durante un período corto! ¡Esto puede dañar el efecto de luz o incluso causar el fuego!

**AVISO: PERIGO!** Nunca exponha as lentes directamente à luz solar, mesmo que por pouco tempo! Isto pode danificar o efeito luminoso ou mesmo provocar um incêndio!

---

## EN - DISPOSAL OF THE DEVICE

Dispose of the unit and used batteries in an environment friendly manner according to your country regulations.

## FR - DÉCLASSER L'APPAREIL

Débarrassez-vous de l'appareil et des piles usagées de manière écologique, conformément aux dispositions légales de votre pays.

## NL - VERWIJDEREN VAN HET APPARAAT

Verwijder het toestel en de gebruikte batterijen op een milieuvriendelijke manier conform de in uw land geldende voorschriften.

## DU - ENTSORGUNG DES GERÄTS

Entsorgen Sie das Gerät und die Batterien auf umweltfreundliche Art und Weise gemäß den Vorschriften Ihres Landes.

## ES - DESHACERSE DEL APARATO

Reciclar el aparato y pilas usadas de forma ecologica conforme a las disposiciones legales de su país.

## PT - COMO DESFAZER-SE DA UNIDADE

Tente reciclar a unidade e as pilhas usadas respeitando o ambiente e em conformidade com as normas vigentes no seu país.



# OPERATION MANUAL

Thank you for buying this JB Systems® product. To take full advantage of all possibilities and for your own safety, please read these operating instructions very carefully before you start using this unit.

## FEATURES

This unit is radio-interference suppressed. This product meets the requirements of the current European and national guidelines. Conformity has been established and the relevant statements and documents have been deposited by the manufacturer.

- This device has been designed to produce decorative effect lighting and is used in light show systems.
- An extremely compact, DMX-controlled, LED effect
- Projects 34 sharp white beams (Solar White) or colored beams (Solar RGB) with dynamic internal programs!
- 0-100% dimming and ultra fast strobe function
- Adjustable rotation speed from extremely slow to very fast
- Different user modes for maximum flexibility:
  - DMX-control
  - Standalone: automatic or sound activated with internal mic
  - Master/slave: wonderful synchronized shows
- Optional CA-8 remote controller available
- Based on a powerful 3Watt White or RGB LED:
  - Extremely brilliant beams compared to effects with halogen lamps
  - More dynamic effects compared to effects based on halogen lamps
  - No lamp replacements!
  - Extremely long lifespan!
  - Virtually no heat production
  - Very low power consumption
  - Lightweight (no lamp transformers needed)

## BEFORE USE

- Before you start using this unit, please check if there's no transportation damage. Should there be any, do not use the device and consult your dealer first.
- **Important:** This device left our factory in perfect condition and well packaged. It is absolutely necessary for the user to strictly follow the safety instructions and warnings in this user manual. Any damage caused by mishandling is not subject to warranty. The dealer will not accept responsibility for any resulting defects or problems caused by disregarding this user manual.
- Keep this booklet in a safe place for future consultation. If you sell the fixture, be sure to add this user manual.

### Check the contents:

Check that the carton contains the following items:

- Operating instructions
- Solar White or Solar RGB
- Hanging bracket + 2 bolts & 2 nuts

## SAFETY INSTRUCTIONS:



**CAUTION:** To reduce the risk of electric shock, do not remove the top cover. No user-serviceable parts inside. Refer servicing to qualified service personnel only.



The lightning flash with arrowhead symbol within the equilateral triangle is intended to alert the user or the presence of un-insulated "dangerous voltage" within the product's enclosure that may be of sufficient magnitude to constitute a risk of electric shock.



The exclamation point within the equilateral triangle is intended to alert the user to the presence of important operation and maintenance (servicing) instructions in the literature accompanying this appliance.



This symbol means: indoor use only



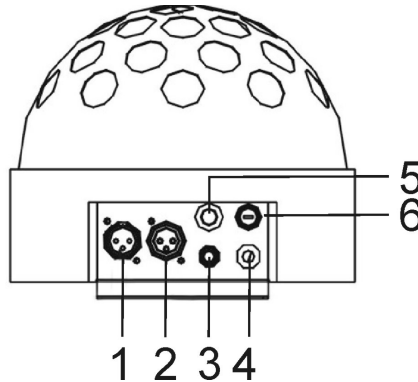
This symbol means: Read instructions

- To protect the environment, please try to recycle the packing material as much as possible.
- To prevent fire or shock hazard, do not expose this appliance to rain or moisture.
- To avoid condensation to be formed inside, allow the unit to adapt to the surrounding temperatures when bringing it into a warm room after transport. Condense sometimes prevents the unit from working at full performance or may even cause damages.
- This unit is for indoor use only.
- Don't place metal objects or spill liquid inside the unit. Electric shock or malfunction may result. If a foreign object enters the unit, immediately disconnect the mains power.
- Locate the fixture in a well ventilated spot, away from any flammable materials and/or liquids. The fixture must be fixed at least 50cm from surrounding walls.
- Don't cover any ventilation openings as this may result in overheating.
- Prevent use in dusty environments and clean the unit regularly.
- Keep the unit away from children.
- Inexperienced persons should not operate this device.
- Maximum safe ambient temperature is 40°C. Don't use this unit at higher ambient temperatures.
- Make sure the area below the installation place is free from unwanted persons during rigging, de-rigging and servicing.
- Always unplug the unit when it is not used for a longer time or before you start servicing.
- The electrical installation should be carried out by qualified personal only, according to the regulations for electrical and mechanical safety in your country.
- Check that the available voltage is not higher than the one stated on the rear panel of the unit.
- The power cord should always be in perfect condition. Switch the unit immediately off when the power cord is squashed or damaged. It must be replaced by the manufacturer, its service agent or similarly qualified persons in order to avoid a hazard.
- Never let the power-cord come into contact with other cables!
- This fixture must be earthed to in order comply with safety regulations.
- Don't connect the unit to any dimmer pack.
- Always use an appropriate and certified safety cable when installing the unit.
- In order to prevent electric shock, do not open the cover.
- **Never** repair a fuse or bypass the fuse holder. **Always** replace a damaged fuse with a fuse of the same type and electrical specifications!
- In the event of serious operating problems, stop using the fixture and contact your dealer immediately.
- The housing and the lenses must be replaced if they are visibly damaged.
- Please use the original packing when the device is to be transported.
- Due to safety reasons it is prohibited to make unauthorized modifications to the unit.

**Important:** Never look directly into the light source! Don't use the effect in the presence of persons suffering from epilepsy.

**DESCRIPTION:**

1. DMX input: 3pin male XLR-connector used to connect universal DMX-cables. This input receives instructions from a DMX-controller or from another Solar in master/slave mode.
2. DMX output: 3pin female XLR-connector used to connect the solar White/RGB with the next unit in the DMX chain or with another Solar white/RGB when used in master/slave mode.
3. 1/4" jack to connect the optional CA-8 controller.
4. Mains cable
5. Internal microphone
6. Fuse holder



**OVERHEAD RIGGING**

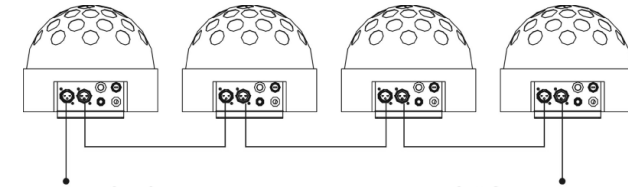
- **Important:** The installation must be carried out by qualified service personal only. Improper installation can result in serious injuries and/or damage to property. Overhead rigging requires extensive experience! Working load limits should be respected, certified installation materials should be used, the installed device should be inspected regularly for safety.
- Make sure the area below the installation place is free from unwanted persons during rigging, de-rigging and servicing.
- Locate the fixture in a well ventilated spot, far away from any flammable materials and/or liquids. The fixture must be fixed at least 50cm from surrounding walls.
- The device should be installed out of reach of people and outside areas where persons may walk by or be seated.
- Before rigging make sure that the installation area can hold a minimum point load of 10times the device's weight.
- Always use a certified safety cable that can hold 12times the weight of the device when installing the unit. This secondary safety attachment should be installed in a way that no part of the installation can drop more than 20cm if the main attachment fails.
- The device should be well fixed; a free-swinging mounting is dangerous and may not be considered!
- Don't cover any ventilation openings as this may result in overheating.
- The operator has to make sure that the safety-relating and machine-technical installations are approved by an expert before using them for the first time. The installations should be inspected every year by a skilled person to be sure that safety is still optimal.

**ELECTRICAL INSTALLATION + ADDRESSING**

**Important:** The electrical installation should be carried out by qualified personal only, according to the regulations for electrical and mechanical safety in your country.

**Electrical installation in DMX-mode:**

- The DMX-protocol is a widely used high speed signal to control intelligent light equipment. You need to "daisy chain" your DMX controller and all the connected units with a good quality balanced cable.
- Both XLR-3pin and XLR-5pin connectors are used, however XLR-3pin is more popular because these cables are compatible with balanced audio cables.  
Pin layout XLR-3pin: Pin1 = GND ~ Pin2 = Negative signal (-) ~ Pin3 = Positive signal (+)  
Pin layout XLR-5pin: Pin1 = GND ~ Pin2 = Negative signal (-) ~ Pin3 = Positive signal (+) ~ Pins4+5 not used.
- To prevent strange behavior of the light effects, due to interferences, you must use a 90Ω to 120Ω terminator at the end of the chain. Never use Y-splitter cables, this simply won't work!
- Make sure that all units are connected to the mains.
- Each light effect in the chain needs to have its proper starting address so it knows which commands from the controller it has to decode. In the next section you will learn how to set the DMX addresses.



**How to set the DIP-switches to obtain the right starting address:**

Each of the first 9 DIP-switches correspond to a certain DMX-value:

DIP	#1	#2	#3	#4	#5	#6	#7	#8	#9	#10
Value	1	2	4	8	16	32	64	128	256	Slave inversion not used in DMX-mode

You can combine the values of these switches to become any starting address between 1 and 512:

- Begin address = 01 → switch 1=ON values: 1
- Begin address = 05 → switch 1+3=ON values: 1+4 = 5
- Begin address = 09 → switch 1+4=ON values: 1+8 = 9
- Begin address = 13 → switch 1+3+4=ON values: 1+4+8 = 13
- ...
- Begin address = 62 → switch 2+3+4+5+6=ON values: 2+4+8+16+32 = 62

**HOW TO OPERATE THE UNIT**

**1. Standalone 1unit:**

**Important:** The DMX address MUST be set to 001. (first DIP switch = ON, all other are OFF)

Dipswitch 2 has two functions:

- OFF: Performs the built-in programs automatically to the rhythm of the music.
- ON: Auto mode. Eight Chases (dip switch 3 changes the direction of rotation, dip switch 4,5,6 changes the speed)

**2. Two or more units in master/slave setup:**

Connect 2 or more units together using good quality balanced XLR microphone cables. The unit that has no cable connected to its input will react as master, the others are the slave units.

**Important:** On the master unit the DMX address MUST be set to 001. (first DIP switch = ON, all other are OFF) The slave units can have any DMX address value but NOT 001!

You can inverse the behavior of one or more slave units by changing the position of DIP-switch n°10 on these slaves. Just try it and see if the effect becomes better. Changing DIP-switch n°10 on the master has no effect.

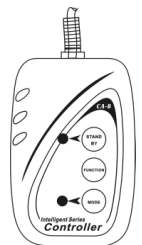
*Notice: when you use Solar White and Solar RGB together in Master/Slave mode, you should set a Solar RGB unit as Master. If you set a Solar White as Master, the colors of the Solar RGB units will not change automatically.*

**3. Connect the optional CA-8 controller for more control:**

The CA-8 controller can only be used in standalone or master/slave mode. Connect the controller to the jack input of the first unit (master). Now you can control all the connected units:

<b>Stand by</b>	Blackout the <b>SOLAR WHITE</b> unit (LED ON)	
<b>Function</b>	Push for 1. strobe function 2. 2 light strobe	Rotation & speed selection
<b>Mode</b>	Musical mode (LED OFF)	automatic mode(LED ON)

<b>Stand by</b>	Blackout the <b>SOLAR RGB</b> unit (LED ON)	
<b>Function</b>	Push for 1. strobe function 2. 2 light strobe 3. Sound strobe	Rotation & speed selection
<b>Mode</b>	Musical mode (LED OFF)	automatic mode(LED ON)



4. **DMX-mode:**

When the units are connected in DMX-mode, they can be controlled using the following DMX-chart:

Solar WHITE		Solar RGB		
DMX512 Configuration		DMX512 Configuration		
Ch1	Ch2	Ch1	Ch2	Ch3
Dimmer/Strobe	Rotation	Dimmer/Strobe	Color	Rotation
248-255 OPEN Fast /// 200-247 // Slow 8-199 0-7 CLOSED	246-255 Stop Fast 135-245 Slow 121-134 Stop 10-120 Slow Fast 0-9 Stop	248-255 OPEN Slow 200-247 // Fast 8-199 Dimmer CLOSED 0-7	248 - 255 Color 32 240 - 247 Color 31 232 - 239 Color 30 224 - 231 Color 29 216 - 223 Color 28 208 - 215 Color 27 200 - 207 Color 26 192 - 199 Color 25 184 - 191 Color 24 176 - 183 Color 23 168 - 175 Color 22 160 - 167 Color 21 152 - 159 Color 20 144 - 151 Color 19 136 - 143 Color 18 128 - 135 Color 17 120 - 127 Color 16 112 - 119 Color 15 104 - 111 Color 14 096 - 103 Color 13 088 - 095 Color 12 080 - 087 Color 11 072 - 079 Color 10 064 - 071 Color 09 056 - 063 Color 08 048 - 055 Color 07 040 - 047 Color 06 032 - 039 Color 05 024 - 031 Color 04 016 - 023 Color 03 008 - 015 Color 02 000 - 007 Color 01	246-255 Stop Fast 135-245 Slow 121-134 Stop 10-120 Slow Fast 0-9 Stop

**MAINTENANCE**

- Make sure the area below the installation place is free from unwanted persons during servicing.
- Switch off the unit, unplug the mains cable and wait until the unit has been cooled down.
- **During inspection the following points should be checked:**
- All screws used for installing the device and any of its parts should be tightly fastened and may not be corroded.
- Housings, fixations and installations spots (ceiling, truss, suspensions) should be totally free from any deformation.
- When an optical lens is visibly damaged due to cracks or deep scratches, it must be replaced.
- The mains cables must be in impeccable condition and should be replaced immediately when even a small problem is detected.
- In order to protect the device from overheat the cooling fans (if any) and ventilation openings should be cleaned monthly.
- The interior of the device should be cleaned annually using a vacuum cleaner or air-jet.
- The cleaning of internal and external optical lenses and/or mirrors must be carried out periodically to optimize light output. Cleaning frequency depends on the environment in which the fixture operates: damp, smoky or particularly dirty surroundings can cause greater accumulation of dirt on the unit's optics.
  - Clean with a soft cloth using normal glass cleaning products.
  - Always dry the parts carefully.
  - Clean the external optics at least once every 30 days.
  - Clean the internal optics at least every 90 days.

**Attention:** We strongly recommend internal cleaning to be carried out by qualified personnel!

**SPECIFICATIONS**

<b>Mains Input:</b>	AC 100V ~ 240V, 50/60Hz
<b>Fuse:</b>	T-1A
<b>Sound Control:</b>	Internal microphone
<b>DMX connections:</b>	3pin XLR male / female
<b>DMX channels used:</b>	Solar white: 2 channels Solar RGB: 3 channels
<b>Lamp:</b>	Solar white: 1x white LED 3Watt Solar RGB: 1x 3-color LED 3Watt
<b>Size:</b>	210 x 210 x 179 mm
<b>Weight:</b>	1,8kg

Every information is subject to change without prior notice  
You can download the latest version of this user manual on our website: [www.beglec.com](http://www.beglec.com)

# MODE D'EMPLOI

Merci d'avoir choisi ce produit JB Systems®. Pour votre sécurité et pour une utilisation optimale de toutes les possibilités de l'appareil, lisez attentivement cette notice avant utilisation.

**EN VOUS INSCRIVANT POUR LA LETTRE D'INFORMATION VOUS SEREZ TOUJOURS TENU AU COURANT DES DERNIERES NOUVELLES CONCERNANT NOS PRODUITS: NOUVEAUTES, ACTIONS SPECIALES, JOURNEES PORTES OUVERTES, ETC.**  
**→ SURFEZ SUR: WWW.BEGLEC.COM ←**

## CARACTERISTIQUES

Cet appareil ne produit pas d'interférences radio. Il répond aux exigences nationales et européennes. La conformité a été établie et les déclarations et documents correspondants ont été déposés par le fabricant.

- Cet appareil a été conçu pour la production de jeux de lumières décoratifs et est utilisé dans des spectacles lumineux.
- Un effet LED DMX extrêmement compact
- Projette 34 faisceaux blancs (Solar White) ou colorés (Solar RGB) très nets avec des effets intégrés dynamiques!
- Fonction gradateur allant de 0 à 100 % et fonction stroboscope ultrarapide
- Vitesse de rotation réglable (extrêmement lent à très rapide)
- Différents modes d'utilisation pour une flexibilité maximale:
  - Contrôle via DMX
  - Mode autonome : activation automatique ou sonore via micro interne
  - Maître/Esclave: pour des merveilleux spectacles synchronisés
- Une télécommande CA-8 est disponible en option
- Conçue sur base d'une LED blanche ou RGB très puissante de 3 watts:
  - Faisceaux extrêmement brillants, compare aux effets à lampe halogène
  - Les effets sont beaucoup plus dynamiques que les effets à lampe halogène
  - Durée de vie extrêmement longue!
  - Pratiquement aucune production de chaleur
  - Consommation de courant très faible
  - Poids plume (aucun transfo pour lampes n'est nécessaire)

## AVANT UTILISATION

- Avant d'utiliser cet appareil, assurez-vous de l'absence de dommages liés au transport. En cas de dommages, n'utilisez pas l'appareil et contactez le vendeur.
- **Important:** Cet appareil a quitté notre usine en parfaite condition et bien emballé. Il est primordial que l'utilisateur suive les instructions de sécurité et avertissements inclus dans ce manuel. La garantie ne s'applique pas en cas de dommage lié à une utilisation incorrecte. Le vendeur ne prend pas la responsabilité des défauts ou de tout problème résultant du fait de n'avoir pas tenu compte des mises en garde de ce manuel.
- Conservez ce manuel dans un endroit sûr pour toute consultation future. Si vous vendez l'appareil, assurez-vous d'y joindre ce manuel également.
- Afin de protéger l'environnement, merci de recycler les emballages autant que possible.

### Vérifiez le contenu:

Vérifiez si l'emballage contient bien les articles suivants:

- Solar Blanc ou RGB
- Mode d'emploi
- Attelle de suspension + 2 boulons & 2 écrous

## INSTRUCTIONS DE SECURITE:



**CAUTION**  
RISK OF ELECTRIC SHOCK  
DO NOT OPEN



**ATTENTION:** afin de réduire le risque d'électrocution, n'enlevez jamais le couvercle de l'appareil. Il n'y a aucune pièce à l'intérieur de l'appareil que vous puissiez remplacer vous-même. Confiez l'entretien uniquement à des techniciens qualifiés.



La flèche dans un triangle met l'utilisateur en garde contre la présence de haute tension sans isolation dans l'appareil, ce qui peut causer un risque d'électrocution.



Un point d'exclamation dans un triangle prévient de la présence d'instructions relatives au fonctionnement et à la maintenance se trouvant dans le manuel fourni avec l'appareil.



Ce symbole signifie: uniquement pour usage à l'intérieur.



Ce symbole signifie : Lire le mode d'emploi.

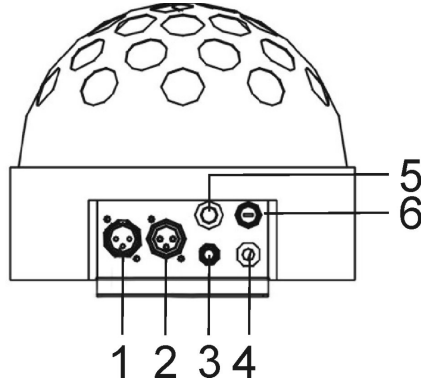
- Afin de protéger l'environnement, merci de recycler les emballages autant que possible.
- Afin d'éviter tout risque d'incendie ou de décharge électrique, ne pas exposer cet appareil à la pluie ou à l'humidité.
- Pour éviter la formation de condensation à l'intérieur de l'appareil, patientez quelques minutes pour laisser l'appareil s'adapter à la température ambiante lorsqu'il arrive dans une pièce chauffée après le transport. La condensation empêche l'appareil de fonctionner manière optimale, et elle peut même causer des dommages.
- Cet appareil est destiné à une utilisation à l'intérieur uniquement.
- Ne pas insérer d'objet métallique ou renverser de liquide dans l'appareil. Aucun objet contenant un liquide, tels que des vases, ne peut être placé sur cet appareil. Cela risquerait de provoquer une décharge électrique ou un dysfonctionnement. Si un corps étranger est introduit dans l'appareil, déconnectez immédiatement de la source d'alimentation.
- Aucune source de flamme nue, telle que des bougies allumées, ne peut être placée sur l'appareil.
- Placez l'appareil dans un endroit bien ventilé, éloigné de tout matériau ou liquide inflammable. L'appareil doit être fixé à 50cm minimum des murs.
- Ne pas couvrir les orifices de ventilation, un risque de surchauffe en résulterait.
- Ne pas utiliser l'appareil dans un environnement poussiéreux et le nettoyer régulièrement.
- Ne pas laisser l'appareil à portée des enfants.
- Les personnes non expérimentées ne doivent pas utiliser cet appareil.
- La température ambiante maximale d'utilisation de l'appareil est de 45°C. Ne pas l'utiliser au-delà de cette température.
- Assurez-vous que la zone au-dessous du lieu d'installation ne comporte pas de personnes non concernées pendant le montage, le démontage et les opérations de maintenance.
- Débranchez toujours l'appareil si vous ne l'utilisez pas de manière prolongée avant d'entreprendre des réparations.
- Les installations électriques ne peuvent être faites que par du personnel qualifié et conformément aux règlements de sécurité électrique et mécanique en vigueur dans votre pays.
- Assurez-vous que la tension d'alimentation de la source d'alimentation de la zone dans laquelle vous vous trouvez ne dépasse pas celle indiquée à l'arrière de l'appareil.
- Le cordon d'alimentation doit toujours être en parfait état. Mettez immédiatement l'unité hors tension si le cordon devait être écrasé ou endommagé. Pour éviter tout risque de choc électrique, le cordon doit être remplacé par le constructeur, son agent ou un technicien qualifié.
- Ne laissez jamais le cordon d'alimentation entrer en contact avec d'autres câbles !
- L'appareil doit être à la masse selon les règles de sécurité.
- Ne pas connecter l'unité à un variateur de lumière.
- Utilisez toujours des câbles appropriés et certifiés lorsque vous installez l'appareil.
- Pour éviter toute décharge électrique, ne pas ouvrir l'appareil.
- **Ne jamais** réparer ou court-circuiter un fusible. Remplacez **systématiquement** un fusible endommagé par un fusible de même type et ayant les mêmes spécifications électriques !
- En cas de problèmes de fonctionnement sérieux, arrêtez toute utilisation de l'appareil et contactez votre revendeur immédiatement.

- La carrosserie et les lentilles doivent être remplacées si elles sont visiblement endommagées.
- Utilisez l'emballage d'origine si l'appareil doit être transporté.
- Pour des raisons de sécurité, il est interdit d'apporter une quelconque modification à l'unité non spécifiquement autorisée par les parties responsables.

**Important:** Ne jamais fixer directement la source de lumière ! Ne pas utiliser d'effets en présence de personnes souffrant d'épilepsie.

## DESCRIPTION

1. Entrée DMX : connecteur XLR mâle à 3 broches utilisé pour connecter des câbles DMX universels. Cette entrée reçoit ses instructions d'un contrôleur DMX ou d'un autre Solar quand c'est le mode maître/esclave qui a été choisi.
2. Sortie DMX : connecteur XLR femelle à 3 broches utilisé pour connecter le Solar soit à l'appareil qui suit dans la chaîne DMX, soit à un autre Solar quand c'est le mode maître/esclave qui a été choisi.
3. Jack d'1/4" destiné à connecter le contrôleur optionnel CA-8.
4. Câble d'alimentation secteur.
5. Micro interne.
6. Porte fusible.



## INSTALLATION EN HAUTEUR

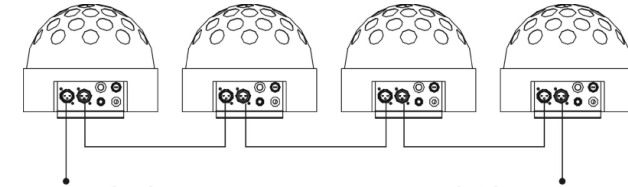
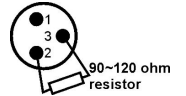
- **Important:** L'installation doit être faite par du personnel qualifié uniquement. Une installation incorrecte peut causer des blessures sévères et/ou endommager l'appareil. L'installation en hauteur exige de l'expérience ! Les limites de charge doivent être scrupuleusement respectées, du matériel d'installation certifié doit être utilisé, et l'appareil installé doit subir des inspections de sécurité régulièrement.
- Assurez-vous que la zone au-dessous du lieu d'installation ne comporte pas de personnes non concernées lors de l'installation, la désinstallation ou la maintenance.
- Placez l'appareil dans un endroit bien ventilé, éloigné de tout matériau ou liquide inflammable. L'appareil doit être fixé à **50cm minimum** des murs situés à proximité.
- L'appareil doit être hors de portée du public et en dehors des zones de passage de personnes ou des zones où le public est installé.
- Avant l'installation, assurez-vous que la zone d'installation pourra supporter, en son point de fixation, un minimum de 10 fois le poids de l'appareil.
- Utilisez systématiquement un câble de sécurité qui peut supporter 12 fois le poids de l'appareil lors de l'installation. Ce câble de sécurité secondaire doit être installé de manière à ce qu'aucune partie de l'appareil ne puisse descendre de plus de 20 cm si le support principal tombe.
- L'appareil doit être bien fixé, un montage à balancement est dangereux et ne devrait pas être pris en considération !
- Ne pas couvrir les orifices de ventilation pour éviter tout risque de surchauffe.
- L'utilisateur doit s'assurer que les installations techniques et de sécurité sont bien approuvées par un expert avant la première utilisation. Les installations doivent être inspectées chaque année par du personnel qualifié pour assurer une sécurité optimale.

## INSTALLATION ELECTRIQUE + ADRESSAGE

**Important:** L'installation électrique doit uniquement être effectuée par du personnel qualifié, selon la législation concernant les mesures de sécurité électriques et mécaniques en vigueur dans votre pays.

### Installation électrique en mode DMX :

- Le protocole DMX est un signal à haute vitesse très utilisé pour contrôler des équipements lumineux intelligents. Vous devez connecter en guirlande votre contrôleur DMX et tous les appareils avec un câble balancé de bonne qualité.
- Les deux types de connecteurs XLR, ceux à 3 broches comme ceux à 5 broches, peuvent être utilisés ; cependant, les connecteurs à 3 broches se rencontrent plus fréquemment car ils sont compatibles avec les câbles audio symétriques.  
Plan de câblage des XLR à 3 broches : Broche 1 = prise de terre ~ broche 2 = signal négatif (-) ~ broche 3 = signal positif (+)  
Plan de câblage des XLR à 5 broches : Broche 1 = prise de terre ~ broche 2 = signal négatif (-) ~ broche 3 = signal positif (+) ~ broches 4 et 5 : non utilisées.
- Pour éviter des comportements étranges des effets de lumières dus aux interférences, vous devez utiliser une résistance de bouclage de 90Ω à 120Ω au bout de la guirlande. Ne jamais utiliser de séparateur de câbles en forme « Y », cela ne fonctionnera pas!
- Assurez-vous que les appareils sont tous branchés sur le secteur.
- Chaque effet de lumière dans la guirlande doit avoir sa propre adresse de départ afin de savoir quelle est la commande du contrôleur il doit decoder. Dans la prochaine section, vous apprendrez à régler l'adresse DMX.



### Comment régler les interrupteurs DIP pour créer une adresse de départ correcte :

Chacun des 9 premiers interrupteurs DIP correspond à une certaine valeur DMX.

DIP	#1	#2	#3	#4	#5	#6	#7	#8	#9	#10
Valeur	1	2	4	8	16	32	64	128	256	L'inversion des appareils esclaves n'est pas utilisée en mode DMX

On peut combiner les valeurs de ces interrupteurs de manière à obtenir n'importe quelle adresse de départ entre 1 et 512 :

Réglage adresse = 01	→ int. 1 = ON	valeur = 1
Réglage adresse = 05	→ int. 1+3 = ON	valeur = 1+4 = 5
Réglage adresse = 09	→ int. 1+4 = ON	valeur = 1+8 = 9
Réglage adresse = 13	→ int. 1+3+4 = ON	valeur = 1+4+8 = 13
...		
Réglage adresse = 62	→ int. 2+3+4+5+6 = ON	valeur = 2+4+8+16+32 = 62

## FUNCTIONNEMENT DE L'APPAREIL

### 1. Un seul appareil en mode autonome :

**Important :** L'appareil DOIT être réglé à l'adresse DMX 001 (Premier switch DIP sur ON, tous les autres sur OFF).

Dipswitch 2 possède une double fonction:

OFF: les programmes intégrés se déroulent au rythme de la musique.

ON: Mode de fonctionnement automatique (utilisez dip switch 3 pour changer la direction de rotation, utilisez dip switch 4,5,6 pour changer la vitesse)

**2. Deux appareils ou plus, en mode 'maître/esclave' :**

Connectez deux appareils ou plus entre eux. A cette fin, utilisez des câbles pour micros, de bonne qualité et pourvus de prises XLR symétriques. L'appareil qui n'a pas de câble raccordé à son entrée se comportera en 'master', les autres réagiront donc comme des appareils 'slaves'.

**Important : sur l'appareil 'master', l'adresse DMX doit être réglée sur 001.** (Premier switch DIP sur ON, tous les autres sur OFF). **Les appareils 'slaves' peuvent avoir n'importe quelle adresse DMX, sauf 001 !** On peut inverser les réactions d'un ou de plusieurs 'slaves' en changeant la position du switch DIP N° 10 sur les 'slaves' en question. Il suffit d'essayer et de voir si cela améliore l'effet. Si vous changez le switch DIP N° 10 sur le 'master', cela n'aura aucun effet.

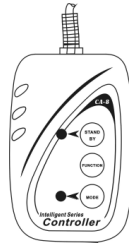
*Remarque: Si vous utilisez des appareils Solar White et Solar RGB ensemble en mode Maître/Esclave, vous devriez utiliser un Solar RGB comme appareil Maître. Si vous utilisez un Solar White comme appareil maître, les couleurs des appareils Solar RGB resteront inchangés pendant le déroulement des programmes.*

**3. Pour disposer de plus de contrôle, connectez le contrôleur optionnel CA-8 :**

Le contrôleur CA-8 peut être utilisé pour les modes autonome et maître/esclave. Connectez le contrôleur au jack d'entrée du premier appareil (maître). Vous pouvez maintenant contrôler tous les appareils connectés.

<b>Stand by</b>	L'appareil <b>SOLAR WHITE</b> est totalement éteint. (LED allumée)	
<b>Fonction</b>	appuyez sur la touche pour activer 1. la fonction stroboscopique 2. la fonction double strobo	Sélection de la vitesse / rotation
<b>Mode</b>	Activé par le Son (LED éteinte)	Mode automatique (LED allumée)

<b>Stand by</b>	L'appareil <b>SOLAR RGB</b> est totalement éteint. (LED allumée)	
<b>Fonction</b>	appuyez sur la touche pour activer 1. la fonction stroboscopique 2. la fonction double strobo 3. la fonction strobo activé par le son	Sélection de la vitesse / rotation
<b>Mode</b>	Activé par le Son (LED éteinte)	Mode automatique (LED allumée)

**4. Mode DMX :**

Quand les appareils sont connectés en mode DMX, ils peuvent être contrôlés en suivant les instructions du tableau DMX ci-dessous :

Solar WHITE	
Ch1	Ch2
Dimmer/Strobe	Rotation
248-255 OPEN Fast /// 200-247 // / Slow 8-199 0-7 CLOSED	246-255 Stop Fast 135-245 Slow 121-134 Stop 10-120 Slow Fast 0-9 Stop

Solar RBG		
Ch1	Ch2	Ch3
Dimmer/Strobe	Color	Rotation
248-255 OPEN Slow / 200-247 // /// Fast 8-199 Dimmer 0-7 CLOSED	248 - 255 Color 32 240 - 247 Color 31 232 - 239 Color 30 224 - 231 Color 29 216 - 223 Color 28 208 - 215 Color 27 200 - 207 Color 26 192 - 199 Color 25 184 - 191 Color 24 176 - 183 Color 23 168 - 175 Color 22 160 - 167 Color 21 152 - 159 Color 20 144 - 151 Color 19 136 - 143 Color 18 128 - 135 Color 17 120 - 127 Color 16 112 - 119 Color 15 104 - 111 Color 14 096 - 103 Color 13 088 - 095 Color 12 080 - 087 Color 11 072 - 079 Color 10 064 - 071 Color 09 056 - 063 Color 08 048 - 055 Color 07 040 - 047 Color 06 032 - 039 Color 05 024 - 031 Color 04 016 - 023 Color 03 008 - 015 Color 02 000 - 007 Color 01	246-255 Stop Fast 135-245 Slow 121-134 Stop 10-120 Slow Fast 0-9 Stop

**MAINTENANCE**

- Assurez-vous que la zone au-dessous du lieu d'installation ne comporte pas de personnes non concernées lors de la maintenance
- Mettez l'appareil hors tension, débranchez le cordon d'alimentation et attendez que l'appareil ait refroidi.
- Pendant l'inspection, les points suivants doivent être vérifiés :**
- Toutes les vis utilisées pour l'installation de l'appareil ou de chacune de ses pièces doivent être bien fixées et non corrodées.
- Les niches, fixations et structures de support (plafond, poutres, suspensions) doivent être totalement intactes, sans aucune déformation.
- Lorsqu'une lentille optique est visiblement endommagée (fissure ou éraflures profondes), elle doit être remplacée.
- Les câbles doivent être en parfait état et doivent être remplacés immédiatement en cas de détection d'un problème, même bénin.
- Pour protéger l'appareil de toute surchauffe, les ventilateurs (le cas échéant) et les orifices de ventilation doivent être nettoyés tous les mois.
- L'intérieur de l'appareil doit être nettoyé chaque année à l'aide d'un aspirateur ou d'un pistolet à air.
- Le nettoyage des lentilles optiques internes et externes et/ou des miroirs doit être effectué périodiquement pour optimiser la production de lumière. La fréquence de nettoyage dépend de l'environnement dans lequel l'appareil fonctionne: des environnements humides, enfumés ou particulièrement sales peuvent entraîner une accumulation de saletés plus importante sur les parties optiques de l'appareil.
  - Nettoyez à l'aide d'un chiffon doux avec des produits de nettoyage pour verres normaux.
  - Séchez toujours les parties soigneusement.
  - Nettoyez les optiques externes au moins une fois tous les 30 jours.
  - Nettoyez les optiques internes au moins une fois tous les 90 jours.

**Attention:** Nous vous recommandons fortement de faire exécuter le nettoyage interne par du personnel qualifié !

**SPECIFICATIONS**

<b>Alimentation:</b>	CA 100V ~ 240V, 50/60Hz
<b>Fusible:</b>	T-1A
<b>Contrôle du son:</b>	microphone interne
<b>Connexions DMX:</b>	connecteurs XLR mâle / femelle à 3 broches
<b>Canaux DMX utilisés :</b>	Solar White : 2 canaux Solar RGB : 3 canaux Solar white: 1x LED blanche 3Watt Solar RGB: 1x LED à 3-couleurs 3Watt
<b>Ampoules:</b>	210 x 210 x 179 mm
<b>Dimensions:</b>	1,8kg
<b>Poids:</b>	

Chacune de ces informations peut être modifiée sans avertissement préalable. Vous pouvez télécharger la dernière version de ce mode d'emploi de notre site Web: [www.beglec.com](http://www.beglec.com)



# GEBRUIKSAANWIJZING

Hartelijk dank voor de aankoop van dit JB Systems® product. Om ten volle te kunnen profiteren van alle mogelijkheden en voor uw eigen veiligheid, gelieve de aanwijzingen zeer zorgvuldig te lezen voor U begint het apparaat te gebruiken.

**DOOR U OP ONZE MAILINGLIJST IN TE SCHRIJVEN ONTVANGT U STEEDS DE LAATSTE INFORMATIE OVER ONZE PRODUCTEN: NIEUWIGHEDEN, SPECIALE ACTIES, OPENDEURDAGEN, ENZ.**  
**→ SURF NAAR: [WWW.BEGLEC.COM](http://WWW.BEGLEC.COM) ←**

## KARAKTERISTIEKEN

In dit apparaat is radio-interferentie onderdrukt. Dit product voldoet aan de gangbare Europese en nationale voorschriften. Het is vastgesteld dat het apparaat er zich aan houdt en de desbetreffende verklaringen en documenten zijn door de fabrikant afgegeven.

- Het toestel is ontworpen om decoratieve lichteffecten te produceren en kan eventueel worden gebruikt in lichtshows.
- Een extreem compact, DMX gestuurd, LED effect
- Projecteert 34 scherpe witte (Solar White) of gekleurde stralen (Solar RGB) met dynamische ingebouwde programma's!
- Dimmer 0-100% en uiterst snelle strobe functie
- Regelbare rotatiesnelheid van extreem traag tot heel snel
- Verschillende werkmodi voor een maximum aan flexibiliteit:
  - DMX controle
  - Standaard: werkt automatisch of op het ritme van de muziek dankzij de ingebouwde microfoon
  - Master/slave prachtige gesynchroniseerde shows
  - CA-8 remote controller verkrijgbaar in optie
- Gebaseerd op een zeer krachtige witte of RGB gekleurde LED van 3 watt
  - Prachtige briljante lichtbundels, vergeleken met effecten met halogeenlampen
  - De effecten zijn ook veel dynamischer dan effecten met traditionele halogeenlampen
  - Geen lampen te vervangen!
  - Extreme lange levensduur!
  - Bijna geen warmteontwikkeling
  - Zeer laag verbruik
  - Licht gewicht (geen zware lampransformatoren)

## VOOR DE IN GEBRUIKNAME

Controleer voor het eerste gebruik van het apparaat of het tijdens het transport beschadigd werd. Mocht er schade zijn, gebruik het dan niet, maar raadpleeg eerst uw dealer.

**Belangrijk:** Dit apparaat verliet de fabriek in uitstekende staat en goed verpakt. Het is erg belangrijk dat de gebruiker de veiligheidsaanwijzingen en raadgevingen in deze gebruiksaanwijzing uiterst nauwkeurig volgt. Elke schade veroorzaakt door verkeerd gebruik van het apparaat valt niet onder de garantie. De dealer aanvaardt geen verantwoordelijkheid voor mankementen en problemen die komen door het veronachtzamen van deze gebruiksaanwijzing.

Bewaar deze brochure op een veilige plaats om hem in de toekomst nogmaals te kunnen raadplegen. Indien U het apparaat verkoopt, denkt U er wel aan om de gebruiksaanwijzing bij te voegen.

### Controleer de inhoud:

Controleer of de doos volgende onderdelen bevat:

- Handleiding
- Solar White of Solar RGB
- Ophangbeugel + 2 bouten & 2 moeren

## VEILIGHEIDSVOORSCHRIFTEN:



**CAUTION**  
RISK OF ELECTRIC SHOCK  
DO NOT OPEN



**WAARSCHUWING:** Om het risico op elektrocutie zoveel mogelijk te vermijden mag u nooit de behuizing verwijderen. Er bevinden zich geen onderdelen in het toestel die u zelf kan herstellen. Laat de herstellingen enkel uitvoeren door een bevoegde technicus.



De bliksempijl die zich in een gelijkbenige driehoek bevindt is bedoeld om u te wijzen op het gebruik of de aanwezigheid van niet-geïsoleerde onderdelen met een "gevaarlijke spanning" in het toestel die voldoende kracht heeft om een risico van elektrocutie in te houden.



Het uitroepteken binnen de gelijkbenige driehoek is bedoeld om de gebruiker erop te wijzen dat er in de meegeleverde literatuur belangrijke gebruik en onderhoudsinstructies vermeld staan betreffende dit onderdeel.



Dit symbool betekent: het apparaat mag enkel binnenhuis worden gebruikt.



Dit symbool betekent: Lees de handleiding!

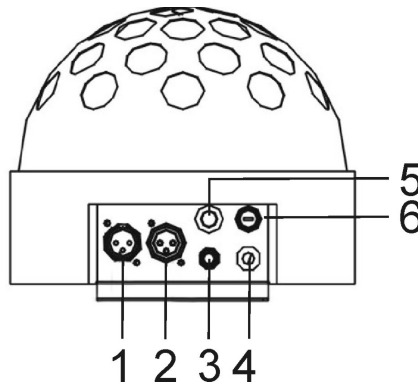
- Om het milieu te beschermen, probeer zoveel mogelijk het verpakkingsmateriaal te recyclen.
- Stel dit apparaat niet bloot aan regen of vocht, dit om het risico op brand en elektrische schokken te voorkomen.
- Om de vorming van condensatie binnenin te voorkomen, laat het apparaat aan de omgevingstemperatuur wennen wanneer het, na het transport, naar een warm vertrek is overgebracht. Condensatie kan het toestel soms verhinderen perfect te functioneren. Het kan soms zelfs schade aan het apparaat toebrengen.
- Gebruik dit apparaat uitsluitend binnenshuis.
- Plaats geen stukken metaal en mors geen vocht binnen in het toestel om elektrische schokken of storing te vermijden. Indien een vreemd voorwerp in het apparaat geraakt, moet U het direct van het lichtnet afkoppelen.
- Plaats de installatie op een plaats met goede ventilatie, ver van brandbare materialen en/of vloeistoffen. De installatie moet op minstens 50 cm van de muren rondom geplaatst worden.
- Bedek geen enkele ventilatieopening om oververhitting te vermijden.
- Zorg dat het toestel niet in een stoffige omgeving wordt gebruikt en maak het regelmatig schoon.
- Houd het apparaat uit de buurt van kinderen.
- Dit apparaat mag niet door onervaren personen bediend worden.
- De maximum veilige omgevingstemperatuur is 40°C. Gebruik het apparaat dus niet bij hogere temperaturen.
- Verzek er U van dat er zich onder de plaats waar het toestel wordt geïnstalleerd geen ongewenste personen bevinden tijdens het bevestigen en losmaken alsook bij het onderhoud.
- Trek altijd de stekker uit wanneer het apparaat gedurende langere tijd niet wordt gebruikt of alvorens te beginnen met de onderhoudsbeurt.
- De elektrische installatie behoort uitsluitend uitgevoerd te worden door bevoegd personeel, volgens de in uw land geldende regels betreffende elektrische en mechanische veiligheid.
- Controleer dat de beschikbare spanning niet hoger is dan die aangegeven op de achterzijde van het toestel.
- De elektrische kabel behoort altijd in uitstekende staat te zijn. Zet het apparaat onmiddellijk af als de elektrische kabel gekneusd of beschadigd is. De kabel moet vervangen worden door de fabrikant zelf, zijn dealer of vergelijkbare bekwaame personen om een brand te voorkomen.
- Laat de elektrische draad nooit in contact komen met andere draden.
- Volgens de veiligheidsvoorschriften moet deze installatie geaard worden.
- Sluit het apparaat niet aan op een elektronische dimmer.
- Gebruik altijd een geschikte en gekeurde veiligheidskabel bij het installeren van het toestel.
- Om elektrische schokken te voorkomen, moet U de behuizing niet openen.
- Herstel **nooit** een zekering en overbrug de zekeringhouder nooit. Vervang een beschadigde zekering **steeds** door een zekering van hetzelfde type en met dezelfde elektrische kenmerken.
- In geval van ernstige problemen met het bedienen van het toestel, stopt U onmiddellijk het gebruik ervan. Contacteer uw dealer voor een eventuele reparatie.
- De behuizing en de lenzen moeten vervangen worden als ze zichtbaar beschadigd zijn.

- Gebruik best de originele verpakking als het toestel vervoerd moet worden.
- Om veiligheidsredenen is het verboden om modificaties aan het toestel aan te brengen.

**Belangrijk:** Kijk nooit rechtstreeks in de lichtbron. Gebruik het lichteffect niet in de aanwezigheid van personen die lijden aan epilepsie.

**BESCHRIJVING:**

1. DMX ingang: mannelijke 3pins XLR-connector voor het aansluiten van universele DMX-cables. Deze ingang kan instructies krijgen van een DMX-controller of van een andere Solar White/RGB in master/slave modus.
2. DMX uitgang: vrouwelijke 3pins XLR-connector om de Solar White/RGB met het volgende toestel in de DMX keten te verbinden of om een andere Solar White/RGB aan te sluiten in master/slave modus.
3. ¼" jack connector voor het verbinden van de optionele CA-8 controller.
4. Voedingskabel
5. Ingebouwde microfoon
6. Zekeringhouder



**OPHANGEN VAN HET APPARAAT**

- **Belangrijk:** De installatie van het toestel mag uitsluitend door bekwaam onderhoudspersoneel uitgevoerd worden. Onjuiste plaatsing kan ernstige letsels en/of schade aan eigendommen tot gevolg hebben. Het ophangen vergt veel ervaring. U behoort de grenzen te respecteren aan de werklust; erkende installeringmaterialen moeten worden gebruikt; de veiligheid van het geïnstalleerde toestel moet regelmatig worden gecontroleerd.
- Overtuig U ervan dat het gebied onder installatieplaats vrij is van ongewenste personen tijdens het plaatsen, het weghalen en het onderhoud.
- Installeer het toestel op een goed geventileerde plaats, ver van brandbare stoffen en/of vloeistoffen. Het toestel moet worden bevestigd op **minstens 50 cm** van de omringende muren.
- Het toestel moet worden geïnstalleerd buiten het bereik van iedereen en weg van plaatsen waar men mag lopen en zitten.
- Alvorens tot het plaatsen over te gaan, moet men controleren dat de minimum puntbelasting van de installatieplaats 10 keer het gewicht van het toestel bedraagt.
- Gebruik bij het installeren van het toestel altijd een gewaarmerkte veiligheidskabel die 12 keer het gewicht van het toestel kan dragen. Deze bijkomende veiligheidsbevestiging moet zo worden aangebracht dat geen deel van het toestel meer dan 20 cm vallen kan als de hoofdbeveiliging faalt.
- Het apparaat moet goed worden vastgezet; aan een vrij zwaaiende montage mag zelfs niet gedacht worden.
- Bedek geen ventilatieopeningen, anders zou dit oververhitting tot gevolg kunnen hebben.
- De gebruiker moet er zich van verzekeren dat de installaties met betrekking tot de veiligheid en de technische mechaniek door een expert zijn goedgekeurd alvorens ze voor de eerste keer te gebruiken. Elk jaar moeten de installaties worden gekeurd door een vakman om te controleren of de veiligheid nog steeds perfect is.

**ELEKTRISCHE INSTALLATIE + ADRESSERING**

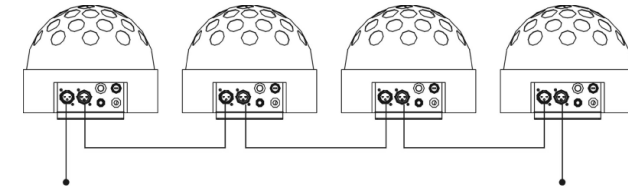
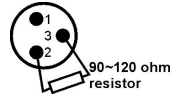
**⚠ Belangrijk:** De elektrische installatie zou alleen uitgevoerd moeten worden door een bekwaam persoon volgens de voorschriften voor elektrische en mechanische veiligheid in uw land.

**DMX INSTALLATIE**

- Het DMX-protocol is een veel gebruikt hogesnelheidssignaal om lichtuitrustingen te bedienen. U moet uw DMX bediening en alle units met een gebalanceerde kabel van goede kwaliteit doorverbinden.
- Zowel de 3pins-XLR als de 5pins-XLR connector worden gebruikt, de 3pins-XLR is echter meer populair want deze kabels zijn compatibel met symmetrische microfoonkabels.  
Pin layout XLR-3pin: Pin1 = GND ~ Pin2 = Negatief signaal (-) ~ Pin3 = Positief signaal (+)

Pin layout XLR-5pin: Pin1 = GND ~ Pin2 = Negatief signaal (-) ~ Pin3 = Positief signaal (+) ~ Pins4+5 niet in gebruik.

- Om vreemd gedrag van de lichteffecten, veroorzaakt door storing, te voorkomen, moet u een afsluitweerstand van 90Ω tot 120Ω aan het eind van de keten gebruiken. Gebruik nooit een Y-splitkabel, dit zal eenvoudig weg niet werken!
- Weet zeker dat alle units op het lichtnet zijn aangesloten.
- Elk lichteffect in de keten heeft een eigen DMX startadres nodig zodat het weet welke commando's van de bediening het moet ontcijferen. In de volgende sectie zal u leren hoe het DMX adres in te stellen.



**Hoe de DIP-schakelaars gebruiken om het gewenste DMX startadres in te stellen:**

Elk van de eerste 9 DIP-schakelaars stemt overeen met een bepaalde DMX-waarde:

DIP	#1	#2	#3	#4	#5	#6	#7	#8	#9	#10
Waarde	1	2	4	8	16	32	64	128	256	Slave inversie, niet gebruikt in DMX-mode

U kunt de waarden van deze schakelaars combineren om zo om het even welk startadres tussen 1 en 512 te bekomen:

Startadres = 01	→ schakelaar 1=ON	waarde: 1
Startadres = 05	→ schakelaar 1+3=ON	waarde: 1+4 = 5
Startadres = 09	→ schakelaar 1+4=ON	waarde: 1+8 = 9
Startadres = 13	→ schakelaar 1+3+4=ON	waarde: 1+4+8 = 13
...		
Startadres = 62	→ schakelaar 2+3+4+5+6=ON	waarde: 2+4+8+16+32 = 62

**BEDIENING VAN HET TOESTEL**

**1. 1 autonoom toestel:**

**Belangrijk:** het DMX adres MOET ingesteld worden op 001 (eerste DIP switch = ON, all de andere staan op OFF).

Dipswitch 2 heeft een dubbele functie:

- OFF: de ingebouwde programma's werken op het ritme van de muziek.
- ON: Automatische modus zonder invloed van de muziek (dip switch 3 verandert de draairichting, dip switch 4,5,6 verandert de rotatiesnelheid)

**2. Twee of meer toestellen in master/slave opstelling:**

Verbindt 2 of meer toestellen met mekaar via gebalanceerde XLR microfoonkabels van goede kwaliteit. Het toestel waar geen kabel aangesloten is in zijn ingang zal reageren als master, de andere toestellen zijn slave toestellen.

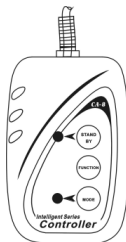
**Belangrijk:** Op het master toestel MOET het DMX adres ingesteld worden op 001 (eerste DIP switch = ON, all de andere staan op OFF). De slave toestellen kunnen elke DMX adres aannemen maar NIET 001. U kan het gedrag van één of meerdere van de slave toestellen omkeren door de positie van DIP-switch n°10 op deze toestellen te veranderen. Probeer het gewoon eens en kijk of het effect beter tot zijn recht komt. De DIP-switch n°10 veranderen op het master toestel heeft geen effect.

*Opmerking: wanneer u Solar White en Solar RGB samen in Master/Slave modus gebruikt, stel dan best een Solar RGB toestel in als Master. Indien u een Solar White als Master gebruikt zullen de kleuren van de Solar RGB toestellen niet automatisch veranderen.*

3. Een betere controle dank zij de CA-8 controller:

De CA-8 controller kan enkel gebruikt worden in standalone (autonoom) of master/slave modus. Sluit de controller via de jack ingang aan op het eerste toestel (master). Nu kunt u alle toestellen controleren:

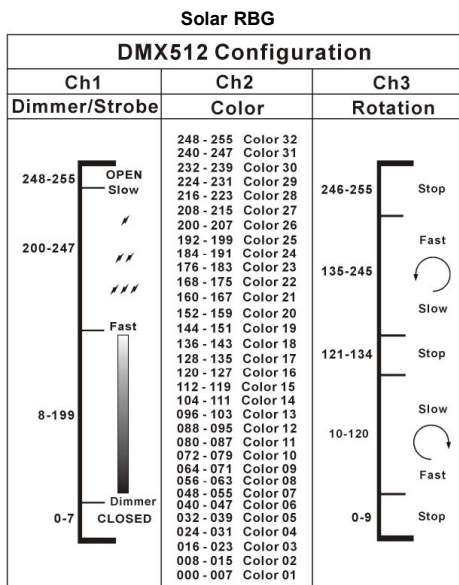
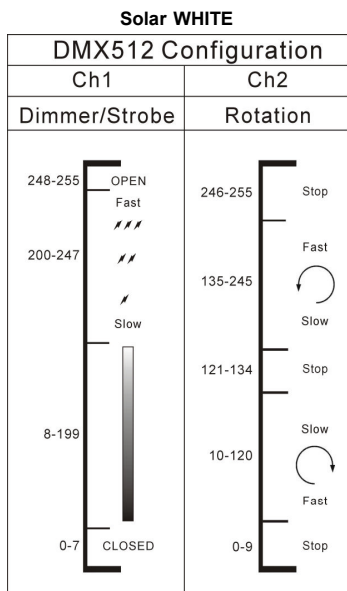
<b>Stand by</b>	Blackout van de <b>SOLAR WHITE</b> (LED aan)	
<b>Function</b>	Druk op de toets om 1. de strobo functie te activeren 2. de dubbele strobo functie te activeren	Keuze van de rotatie / snelheid
<b>Mode</b>	Werking op de muziek (LED uit)	Automatische werking (LED aan)



<b>Stand by</b>	Blackout van de <b>SOLAR RGB</b> (LED aan)	
<b>Function</b>	Druk op de toets om 1. de strobo functie te activeren 2. de dubbele strobo functie te activeren 3. de muzikale strobo functie te activeren	Keuze van de rotatie / snelheid
<b>Mode</b>	Werking op de muziek (LED uit)	Automatische werking (LED aan)

4. DMX-modus:

In DMX modus kunt u de toestellen besturen via 2 kanalen:



**ONDERHOUD**

- Overtuig U ervan dat de zone onder de installatieplaats vrij is van ongewenste personen tijdens het onderhoud.
- Zet het toestel uit, trek de netstekker uit het stopcontact en wacht tot het toestel is afgekoeld.
- Bij inspectie moeten de volgende punten worden gecontroleerd.
- Alle schroeven en onderdelen die gebruikt worden om het te toestel te installeren moeten goed vastgedraaid worden en mogen niet verroest zijn.
- Behuizingen, vastzetstukken, installeringplaatsen (plafond, spanten, schokbrekers) mogen absoluut niet verwrongen zijn.
- Wanneer een optische lens klaarblijkelijk beschadigd is door barsten of diepe krassen, dan moet deze vervangen worden.
- De stroomkabels moeten steeds in perfecte verkeren en dienen vervangen te worden wanneer er zelfs maar een klein probleem ontdekt word.
- Om het toestel te beschermen tegen oververhitting, behoren de ventilatoren (als die er zijn) en de ventilatieopeningen elke maand gereinigd te worden.
- De binnenkant van het toestel behoort elk jaar gereinigd te worden met een stofzuiger of een luchtspuit.
- Het schoonmaken van inwendige en uitwendige optische lenzen en/of spiegels moet regelmatig worden uitgevoerd om een zo goed mogelijke lichtuitstraling te verkrijgen. Hoe vaak ze schoon moeten worden gemaakt hangt af van de omgeving waar het toestel wordt gebruikt: een klamme, rokerige of bijzonder vuile omgeving kan een grotere opeenhoping van vuil veroorzaken op de optische uitrusting.
  - Reinig met een zachte doek en gebruik normale glasreinigende producten.
  - Droog de onderdelen altijd zorgvuldig af.
  - Reinig de uitwendige optische uitrusting minstens één keer per maand.
  - Reinig de inwendige optische uitrusting minstens om de 3 maanden.

**Let op:** We bevelen sterk aan dat het schoonmaken van de binnenkant wordt uitgevoerd door vakbekwaam personeel!!

**TECHNISCHE KENMERKEN**

- Netvoeding:** AC 100V ~ 240V, 50/60Hz
- Zekering:** T-1A
- Geluidscntrole:** Inwendige microfoon
- DMX verbinding:** 3 pins XLR mannelijk/ vrouwelijk
- Aantal DMX kanalen:** Solar White: 2 kanalen  
Solar RGB: 3 kanalen
- Lamp:** Solar white: 1x witte 3Watt LED  
Solar RGB: 1x 3-kleuren 3Watt LED
- Afmetingen:** 210 x 210 x 179 mm
- Gewicht:** 1,8kg

Elke informatie kan zonder voorafgaande waarschuwing gewijzigd worden  
U kan de laatste versie van deze handleiding downloaden via [Onze website: www.beglec.com](http://www.beglec.com)

# BEDIENUNGSANLEITUNG

Vielen Dank, dass Sie sich für den Erwerb dieses JBSystems®-Produkt entschieden haben. Bitte lesen Sie diese Bedienungsanleitung sorgfältig vor der Inbetriebnahme durch, zur vollen Ausschöpfung der Möglichkeiten, die dieses Gerät bietet, sowie zu Ihrer eigenen Sicherheit.

## EIGENSCHAFTEN

Das Gerät ist funktentstört und erfüllt die Anforderungen der europäischen und nationalen Bestimmungen. Entsprechende Dokumentation liegt beim Hersteller vor.

- Das Gerät ist zur Erzeugung von dekorativem Licht sowie zur Verwendung in Lightshows bestimmt.
- Extrem kompakter, DMX gesteuerter, LED Lichteffekt
- 34 scharfe, weiße Strahlen (Solar White) oder bunte Strahlen (Solar RGB) mit dynamischen internen Programmen!
- 0-100% Dimmer und ultra schnelle Strobe-Funktion
- Regelbare Rotationsgeschwindigkeit von sehr langsam bis sehr schnell
- Verschiedene Benutzereinstellungen für maximale Flexibilität:
  - DMX-Steuerung
    - Standalone: automatisch oder musikgesteuert mit eingebautem Mikrofon
    - Master/slave: wunderbar synchronisierte Shows
  - Wahlweise CA-8-Fernsteuerung erhältlich
- Ausgestattet mit einer sehr leistungsfähigen 3 Watt LED
  - Extrem leuchtende Farben verglichen mit Halogenlampen-Effekten
  - Dynamischere Effekte verglichen mit Halogenlampen-Effekten
  - Kein Lampenaustausch erforderlich!
  - Extrem lange Lebensdauer!
  - Praktisch keine Wärmeentwicklung
  - Sehr geringe Leistungsaufnahme
  - Geringes Gewicht (keine Lampen-Trafos erforderlich)

## VOR DER ERSTBENUTZUNG

- Vor der Erstbenutzung bitte das Gerät zuerst auf Transportschäden überprüfen. Sollte das Gerät einen Schaden aufweisen, Gerät bitte nicht benutzen, sondern setzen Sie sich unverzüglich mit Ihrem Händler in Verbindung.
- **Wichtiger Hinweis:** Das Gerät hat das Werk unbeschädigt und gut verpackt verlassen. Es ist wichtig, dass der Benutzer sich streng an die Sicherheitshinweise und Warnungen in der Bedienungsanleitung hält. Schäden durch unsachgemäße Handhabung sind von der Garantie ausgeschlossen. Der Händler übernimmt keine Verantwortung für Schäden, die durch Nichtbeachtung der Bedienungsanleitung hervorgerufen wurden.
- Die Bedienungsanleitung zum zukünftigen Nachschlagen bitte aufbewahren. Bei Verkauf oder sonstiger Weitergabe des Geräts bitte Bedienungsanleitung beifügen.

### Packungsinhalt prüfen:

Bitte überprüfen Sie, dass die Packung folgende Einzelteile enthält:

- Bedienungsanleitung
- Solar White oder Solar RGB
- Befestigungsbügel mit + 2 Schrauben & 2 Muttern

## SICHERHEITSHINWEISE



**CAUTION**  
RISK OF ELECTRIC SHOCK  
DO NOT OPEN



**ACHTUNG:** Um sich nicht der Gefahr eines elektrischen Schlags auszusetzen, entfernen Sie keines der Gehäuseeile. Im Geräteinneren befinden sich keine vom Benutzer reparierbaren Teile. Überlassen Sie Reparaturen dem qualifizierten Kundendienst.



Das Blitzsymbol im Dreieck weist den Benutzer darauf hin, dass eine Berührungsgefahr mit nicht isolierten Teilen im Geräteinneren, die eine gefährliche Spannung führen, besteht. Die Spannung ist so hoch, dass hier die Gefahr eines elektrischen Schlages besteht.



Das Ausrufezeichen im Dreieck weist den Benutzer auf wichtige Bedienungs- und Warnungshinweise in den Dokumenten hin, die dem Gerät beiliegen.



Dieses Symbol bedeutet: Nur innerhalb von Räumen verwenden.



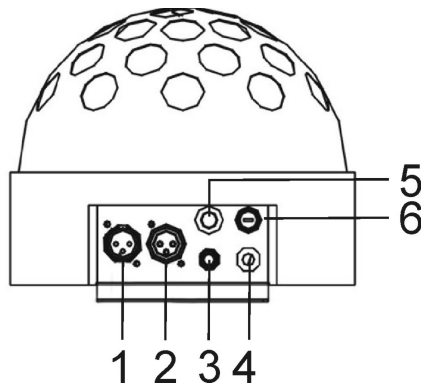
Dieses Symbol bedeutet: Achtung! Bedienungsanleitung lesen!

- Aus Umweltschutzgründen Verpackung bitte wiederverwenden oder richtig trennen.
- Zur Vermeidung von Stromschlag oder Feuer, Gerät bitte nicht Regen oder Feuchtigkeit aussetzen.
- Zur Vermeidung von Kondensation im Inneren des Geräts bitte nach dem Transport in eine warme Umgebung einige Zeit zum Temperatúrausgleich ausgeschaltet stehen lassen. Kondensation kann zu Leistungsverlust des Geräts oder gar Beschädigung führen.
- Gerät nicht im Freien und in feuchten Räumen und Umgebungen verwenden.
- Keine Metallgegenstände oder Flüssigkeiten ins Innere des Geräts gelangen lassen, Kurzschluss oder Fehlfunktion können die Folge sein. Falls es doch einmal vorkommen sollte, bitte sofort Netzstecker ziehen und vom Stromkreis trennen.
- Gerät nur in gut belüfteter Position und entfernt von entflammaren Materialien oder Flüssigkeiten betreiben. Mindestabstand an allen Seiten soll mindestens 50 cm betragen.
- Ventilationsöffnungen nicht abdecken, da Überhitzungsgefahr!
- Nicht in staubiger Umgebung verwenden und regelmäßig reinigen.
- Für Kinder unerreichbar aufbewahren.
- Unerfahrene Personen sollen das Gerät nicht bedienen.
- Umgebungstemperatur darf 40°C nicht überschreiten.
- Sicherstellen, dass sich während des Auf- und Abbaus keine unbefugten Personen unterhalb des Geräts befinden.
- Stets Netzstecker ziehen, wenn Gerät für längeren Zeitraum nicht genutzt oder es gewartet wird.
- Elektrische Anschlüsse nur durch qualifiziertes Fachpersonal überprüfen lassen.
- Sicherstellen, dass Netzspannung mit Geräteaufkleber übereinstimmt.
- Gerät nicht mit beschädigtem Netzkabel betreiben. Ist die Zugangsleitung beschädigt, muss diese durch den Hersteller, seinen Vertrieb oder durch eine qualifizierte Person ersetzt werden.
- Netzkabel nicht mit anderen Kabeln in Berührung kommen lassen!
- Zur Einhaltung der Sicherheitsbestimmungen muss das Gerät geerdet sein.
- Gerät nicht an einen Dimmer anschließen.
- Ausschließlich vorschriftsmäßige Kabel zur Installation verwenden.
- Gerät nicht öffnen.
- Sicherung niemals reparieren oder überbrücken, sondern immer durch gleichartige Sicherung ersetzen!
- Bei Fehlfunktion Gerät nicht benutzen und sich mit Händler in Verbindung setzen.
- Bei sichtbaren Beschädigungen müssen Gehäuse und Optik ersetzt werden.
- Bei Transport bitte Originalverpackung verwenden, um Schäden am Gerät zu vermeiden.
- Aus Sicherheitsgründen dürfen an dem Gerät keine unbefugten Veränderungen vorgenommen werden.

**Wichtiger Hinweis:** Nicht direkt in die Lichtquelle blicken! Gerät nicht verwenden, wenn sich Personen im Raum befinden, die unter Epilepsie leiden.

## BESCHREIBUNG

1. DMX-Eingang: 3-poliger XLR-Stecker zum Anschließen von gängigen DMX-Kabeln. Dieser Eingang erhält Befehle von einem DMX-Controller oder im Master/Slave-Modus von einem anderen Solar White/RGB.
2. DMX-Ausgang: 3-polige XLR-Buchse zum Anschließen des Solar White/RGB an das nachfolgende Gerät in der DMX-Kette oder im Master/Slave-Modus an einen anderen Solar White/RGB.
3. ¼" Buchse zum Anschließen der als Option erhältlichen CA-8-Steuerung.
4. Netzkabel
5. Eingebautes Mikrofon
6. Sicherungsfassung



## ÜBERKOPF-MONTAGE

- **Wichtig:** Montage ausschließlich durch qualifiziertes Fachpersonal durchführen lassen. Unvorschriftmäßiger Einbau kann erhebliche Verletzungen und/oder Schäden verursachen. Überkopf-Montage verlangt entsprechende Erfahrung! Belastungsgrenzen müssen beachtet werden, geeignetes Installationsmaterial muss verwendet werden und das installierte Gerät muss in regelmäßigen Abständen überprüft werden.
- Sicherstellen, dass sich keine unbefugten Personen unterhalb des Geräts befinden, während es installiert oder gewartet wird.
- Gerät in gut belüfteter Position installieren, weit entfernt von entflammaren Materialien und/oder Flüssigkeiten. Einen Seitenabstand von **mindestens 50cm** einhalten.
- Gerät außerhalb der Reichweite von Personen und nicht in niedrigen Durchgängen oder in der Nähe von Sitzgelegenheiten installieren.
- Vor Montage sicherstellen, dass die gewählte Position wenigstens das 10-fache Gerätegewicht aufnehmen kann.
- Zur Aufhängung stets geeignetes Befestigungsmaterial verwenden, das das 12-fache Gerätegewicht aushalten kann. Eine zweite Sicherungsaufhängung muss angebracht werden, die ein Absacken des Geräts von mehr als 20 cm verhindert, sollte die Befestigung brechen.
- Gerät gut befestigen. Eine freischwingende Aufhängung ist gefährlich und sollte auf gar keinen Fall in Betracht gezogen werden!
- Ventilationsöffnungen nicht abdecken, da Überhitzungsgefahr!
- Betreiber muss sicherstellen, dass die sicherheitsrelevanten und technischen Installationen vor Erstbetrieb fachmännisch vorgenommen worden sind.
- Installationen sollten jährlich durch qualifiziertes Fachpersonal inspiziert werden, um jederzeit einen sicheren Betrieb zu gewährleisten.

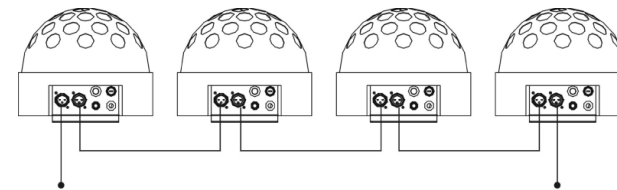
## ELEKTROINSTALLATION + ADDRESSIERUNG

**Wichtig:** Die Elektroinstallation sollte nur von Fachleuten in Übereinstimmung mit den in Ihrem Land geltenden Bestimmungen für elektrische und mechanische Sicherheit ausgeführt werden.  
**Elektroinstallation im DMX-Modus:**

- Das DMX-Protokoll ist ein gängiges Hochgeschwindigkeitssignal, um intelligente Lichtsysteme zu steuern. Sie müssen Ihren DMX-Controller und alle angeschlossenen Geräte mit einem hochwertigen symmetrischen Kabel hintereinander schalten (daisy chain).
- Es werden sowohl XLR-3pin als auch XLR-5pin-Stecker benutzt, allerdings ist der XLR-3pin gängiger, da diese Kabel mit symmetrischen Audiokabel kompatibel sind.  
 Stiftanordnung XLR-3pin: Pin1 = GND ~ Pin2 = Negatives Signal (-) ~ Pin3 = Positives Signal (+)  
 Stiftanordnung XLR-5pin: Pin1 = GND ~ Pin2 = Negatives Signal (-) ~ Pin3 = Positives Signal (+) ~ Pins4+5 werden nicht verwendet
- T• Um durch Interferenzen verursachte Fehlfunktionen der Lichteffekte zu vermeiden, müssen Sie einen 90Ω bis 120Ω Abschlusswiderstand am Ende der Kette einsetzen. Verwenden Sie niemals Y-Splitter Kabel, das funktioniert nicht!



- Stellen Sie sicher, dass alle Geräte ans Netz angeschlossen sind.
- Jeder Lichteffekt in der Kette muss seine eigene Startadresse haben, damit er erkennt, welche Befehle des Controllers er entschlüsseln muss. Im folgenden Abschnitt erhalten Sie eine Anleitung zum Einstellen der DMX-Adressen.



### Einstellen der DIP-Schalter, um die richtige Startadresse zu erhalten:

Jeder der ersten 9 DIP-Schalter entspricht einem bestimmten DMX-Wert:

DIP	#1	#2	#3	#4	#5	#6	#7	#8	#9	#10
Wert	1	2	4	8	16	32	64	128	256	Slave-Umkehrung wird im DMX-Modus nicht benutzt

Sie können die Werte dieser Schalter kombinieren, um gleich welche Startadresse zwischen 1 und 512 zu erhalten:

Anfangsadresse = 01	→ Schalter 1=ON	Werte: 1
Anfangsadresse = 05	→ Schalter 1+3=ON	Werte: 1+4 = 5
Anfangsadresse = 09	→ Schalter 1+4=ON	Werte: 1+8 = 9
Anfangsadresse = 13	→ Schalter 1+3+4=ON	Werte: 1+4+8 = 13
...		
Anfangsadresse = 62	→ Schalter 2+3+4+5+6=ON	Werte: 2+4+8+16+32 = 62

## BEDIENUNG DES GERÄTS

### 1. Standalone 1 Gerät:

**Wichtig:** die DMX-Adresse MUSS auf 001 eingestellt sein. (erster DIP-Schalter = ON, alle anderen sind OFF)

Dipswitch 2 hat zwei Funktionen:

- OFF: Die eingebauten Programme laufen automatisch im Rhythmus der Musik ab.
- ON: Auto Modus. Eight Chase (Dip Schalter 3 ändert die Rotationsrichtung, Dip Schalter 4,5,6 ändern die Geschwindigkeit)

### 2. Zwei oder mehr Geräte in der Master/Slave-Einstellung:

Verbinden Sie 2 oder mehr Einheiten miteinander und verwenden Sie dabei hochwertige symmetrische XLR Mikrofonkabel. Die Einheit, die kein Kabel an ihrem Eingang angeschlossen hat, funktioniert als Master, die anderen sind die Slave-Einheiten.

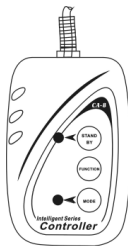
**Wichtig:** An der Master-Einheit MUSS die DMX-Adresse auf 001 eingestellt sein. (erster DIP-Schalter = ON, alle anderen sind OFF) Die Slave-Einheiten können gleich welchen DMX-Adress-Wert haben, aber NICHT 001!

Sie können das Verhalten eines oder mehrerer Slave-Einheiten umkehren, indem Sie die Position des DIP-Schalters Nr. 10 auf diesen Slaves ändern. Versuchen Sie es einfach und schauen Sie, ob ein besserer Effekt erreicht wird. Eine Positionsänderung des DIP-Schalters Nr.10 auf dem Master hat keine Wirkung.

**Achtung:** Wenn sie Solar White und Solar RGB zusammen im Master/Slave Modus nutzen, sollte der Master ein Solar RGB sein. Wenn sie einen Solar White als Master nutzen, ändern sich die Farben des Solar RGB nicht automatisch

3. Schließen Sie den optionalen CA-8-Controller für mehr Steuerfunktionen an:

Der CA-8-Controller kann nur im Standalone oder Master/Slave-Modus verwendet werden. Schließen Sie den Controller an den Buchseneingang des ersten Geräts (Master) an. Jetzt können Sie alle angeschlossenen Geräte steuern:

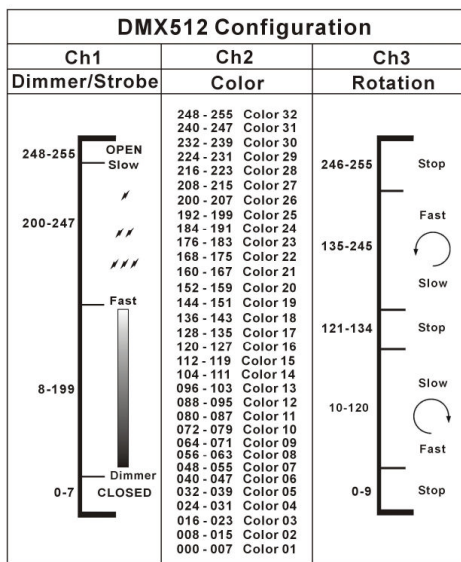
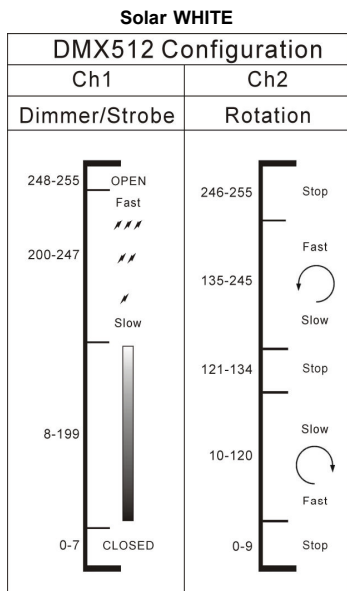


<b>Stand by</b>	Blackout des <b>SOLAR WHITE</b> Geräts	
<b>Function</b>	Drücken für 1. die Strobe Funktion 2. die 2 Light Strobe Funktion	Rotations Geschwindigkeit Auswahl
<b>Mode</b>	Musik (LED OFF)	Automatisch ~ keine Musik (LED ON)

<b>Stand by</b>	Blackout des <b>SOLAR RGB</b> Geräts	
<b>Function</b>	Drücken für 1. die Strobe Funktion 2. die 2 Light Strobe Function 3. die Sound Strobe	Rotations Geschwindigkeit Auswahl
<b>Mode</b>	Musik (LED OFF)	Automatisch ~ keine Musik (LED ON)

4. DMX-Modus:

Wenn die Geräte im DMX-Modus angeschlossen sind, können sie gemäß dem folgenden DMX-Diagramm gesteuert werden:



**WARTUNG UND INSTANDHALTUNG**

- Sicherstellen, dass sich keine unbefugten Personen unterhalb des Geräts befinden, während es gewartet wird.
- Gerät ausschalten, Netzstecker ziehen und warten, bis es sich abgekühlt hat.
- Während der Wartung sind folgende Punkte ganz besonders zu beachten:
- Sämtliche Schrauben zur Installation und Befestigung jeglicher Teile müssen fest angezogen und rostfrei sein.
- Gehäuse, Befestigungsmaterialien und Aufhängungen (Decke, Balken, abgehängte Decken) dürfen keine Anzeichen von Verformung aufweisen.
- Ist die Optik sichtbar beschädigt (Sprünge oder tiefe Kratzer), dann müssen die entsprechenden Teile ausgewechselt werden.
- Netzkabel muss stets in einwandfreiem Zustand sein und selbst bei kleinsten Beschädigungen erneuert werden.
- Zur Vermeidung von Überhitzung müssen die Ventilatoren (sofern vorhanden) und Lüftungsschlitze monatlich gereinigt werden.
- Gerät innen mindestens einmal pro Jahr mit Staubsauger oder Airjet reinigen.
- Reinigung der inneren und äußeren optischen Linsen und/oder Spiegel müssen in regelmäßigen Abständen zur Beibehaltung einer optimalen Lichtausbeute vorgenommen werden. Reinigungsintervalle hängen stark von der Umgebung ab: feuchte, verrauchte und besonders verschmutzte Umgebung führen zu größerer Verschmutzung auf den Linsen.
  - Mit weichem Tuch und gewöhnlichem Glasreiniger säubern.
  - Alle Teile stets gut abtrocknen.
  - Äußere Optik mindestens alle 30 Tage säubern.
  - Innere Optik mindestens alle 90 Tage säubern.

**Achtung:** Wir empfehlen dringend, Reinigung im Innern des Geräts nur von qualifiziertem Personal durchführen zu lassen!

**TECHNISCHE EINZELHEITEN**

- Netzspannung:** ≈ 100V ~ 240V, 50/60Hz
- Sicherung:** T-1A
- Klangregler:** Eingebautes Mikrofon
- DMX Anschlüsse:** 3-pin XLR Stecker/Buchse
- Benutzte DMX-Kanäle:** Solar White: 2 Kanäle  
Solar RGB: 3 Kanäle
- Lichtquelle:** Solar white: 1x white LED 3Watt  
Solar RGB: 1x 3-color LED 3Watt
- Abmessungen:** 210 x 210 x 179 mm
- Gewicht:** 1,8kg

Technische Änderungen können auch ohne Vorankündigung vorgenommen werden!  
Sie können sich die neueste Version dieses Benutzerhandbuches von unserer Website herunterladen: [www.beglec.com](http://www.beglec.com)

# MANUAL DE FUNCIONAMIENTO

Gracias por comprar este producto JB Systems®. Para sacar el máximo rendimiento a sus posibilidades y por su propia seguridad, lea estas instrucciones de funcionamiento detenidamente antes de comenzar a utilizar esta unidad.

## CARACTERÍSTICAS

Esta unidad está a prueba de interferencias de radio. Este producto cumple los requisitos de las directrices nacionales y europeas actuales. Se ha establecido la conformidad y las instrucciones y documentos correspondientes han sido depositados por el fabricante.

- Este dispositivo ha sido diseñado para producir efectos luminosos decorativos y se utiliza en sistemas de espectáculos de luces.
- Un efecto LED sumamente compacto, controlado por DMX
- ¡Proyecta 34 rayos finos blancos (Solar White) o rayos coloreados (Solar RGB) con programas dinámicos internos!
- Regulación de intensidad luminosa 0-100% y función estroboscópica ultra rápida
- Ajuste de velocidad de rotación sumamente lento o muy rápido
- Modos de uso diferentes dan una flexibilidad máxima:
  - Control DMX
  - Independiente: se activa por sonido con micrófono interno o automático
  - Maestro/esclavo: espectáculos perfectamente sincronizados
- Controlador remoto CA-8 opcional disponible
- Basado en un potente LED de 3Vatios Blanco o RGB:
  - Rayos sumamente brillantes comparados a efectos con lámparas de halógeno
  - Más efectos dinámicos comparados a efectos basados en lámparas de halógeno
  - No hay que sustituir la lámparas
  - Vida útil muy larga.
  - Casi no produce calor
  - Consumo de energía muy bajo.
  - Peso ligero (no necesita transformadores de lámpara)

## ANTES DE UTILIZAR EL APARATO

- Antes de comenzar a utilizar esta unidad, compruebe que no haya habido daños durante el transporte. Si observa algún daño, no utilice el dispositivo y consulte primero a su distribuidor.
- **Importante:** Este dispositivo ha salido de nuestras instalaciones en perfecto estado y bien embalado. Es absolutamente necesario que el usuario siga estrictamente estas instrucciones y advertencias de seguridad que aparecen en este manual de usuario. Cualquier daño producido por un manejo innecesario queda excluido de la garantía. El distribuidor no asumirá ninguna responsabilidad por cualquier defecto o problema que surja por no haber seguido el manual de usuario.
- Guarde este folleto en un lugar seguro para consultarlo en el futuro. Si vende este aparato más adelante, asegúrese de incluir este manual de usuario.

### Compruebe el contenido:

Compruebe que la caja contiene los siguientes elementos:

- Instrucciones de funcionamiento
- Solar White o Solar RGB
- Soporte colgante + 2 tornillos & 2 tuercas

## INSTRUCCIONES DE SEGURIDAD:



**CAUTION**  
RISK OF ELECTRIC SHOCK  
DO NOT OPEN



**PRECAUCIÓN:** Para reducir el riesgo de electrocución, no quite la cubierta superior. Ninguna pieza usable adentro para el utilizador. Dirijase únicamente a personal cualificado.



El símbolo de un rayo en el interior de un triángulo alerta sobre la presencia o el uso de elementos no aislados donde un voltaje peligroso constituye un riesgo grande para causar una eventual electrocución.



El punto de exclamación en el interior de un triángulo alerta al usuario sobre la presencia de importantes instrucciones de operación y de mantenimiento tenidas en cuenta en el manual de uso.



Este símbolo significa : uso para el interior solamente.



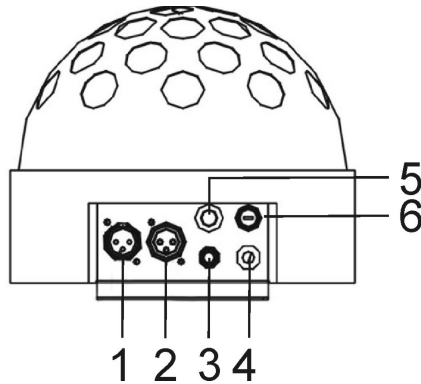
Este símbolo significa : Lea las instrucciones.

- Para proteger el medio ambiente, recicle el material de embalaje en la medida de lo posible.
- Para evitar incendios o riesgos de descarga, no exponga la unidad a la lluvia o a la humedad.
- Para evitar que se forme condensación en el interior, deje que la unidad se adapte a la temperatura exterior cuando la lleve a una habitación cálida después del transporte. A veces la condensación impide que la unidad funcione a pleno rendimiento y puede incluso provocar daños.
- Esta unidad sólo se puede usar en el interior.
- No coloque objetos metálicos ni derrame líquidos dentro del reproductor de la unidad. Se pueden producir descargas eléctricas o fallos de funcionamiento. Si algún objeto extraño entra en la unidad, desconecte inmediatamente el suministro eléctrico.
- Coloque el aparato en un lugar bien ventilado, lejos de materiales y/o líquidos inflamables. El aparato debe colocarse a al menos 50 cm de las paredes.
- No cubra ninguna abertura de ventilación puesto que podría producirse un sobrecalentamiento de la unidad.
- Evite el uso en ambientes con polvo y limpie la unidad regularmente.
- Mantenga la unidad lejos de los niños.
- Las personas sin experiencia no deben utilizar este aparato.
- La máxima temperatura ambiente para un funcionamiento seguro es de 40°C. No utilice la unidad a temperaturas ambiente superiores.
- Asegúrese de que debajo del área del lugar de instalación no hay personas durante el montaje, desmontaje o mantenimiento.
- Desenchufe siempre la unidad cuando no vaya a ser utilizada durante un largo periodo de tiempo o antes de comenzar el mantenimiento.
- La instalación eléctrica sólo debe ser llevada a cabo por personal cualificado, de acuerdo con la regulaciones sobre seguridad eléctrica y mecánica de su país.
- Compruebe que el voltaje disponible no supera el que se indica en el panel trasero de la unidad.
- El cable de alimentación siempre debe estar en perfecto estado. Apague la unidad inmediatamente cuando observe daños o desperfectos en el cable de alimentación. Debe ser reemplazado por el fabricante, su agente de servicio o personas cualificadas para evitar cualquier peligro.
- ¡Nunca deje que el cable de alimentación entre en contacto con otros cables!
- Este aparato debe conectarse a tierra para cumplir con las regulaciones sobre seguridad.
- No conecte la unidad a ningún regulador de voltaje.
- Utilice siempre un cable de seguridad apropiado y homologado cuando instale la unidad.
- Para evitar descargas eléctricas, no abra la cubierta.
- **Nunca** repare un fusible ni derive el soporte del fusible. ¡Reemplace **siempre** el fusible dañado por un fusible del mismo tipo y especificación eléctrica!
- En caso de que ocurran problemas de funcionamiento serios, deje de utilizar el aparato y póngase en contacto con su distribuidor inmediatamente.
- La carcasa y la lente deben reemplazarse si presentan daños visibles.
- Utilice el embalaje original cuando tenga que transportar el dispositivo.
- Por razones de seguridad se prohíbe realizar modificaciones no autorizadas en la unidad.

**Importante:** ¡Nunca mire directamente a la fuente de luz! No utilice el efecto en presencia de personas epilépticas.

**DESCRIPCIÓN:**

1. Entrada DMX: El conector macho XLR de 3 clavijas se utiliza para conectar cables DMX universales. Esta entrada recibe instrucciones de un controlador DMX o de otro Solar White/RGB cuando se utiliza en modo maestro/esclavo.
2. Salida DMX: Se utiliza un conector XLR hembra de 3 pines para conectar el Solar White/RGB con el siguiente aparato DMX en la cadena o con otro Solar White/RGB cuando se utiliza en modo maestro/esclavo.
3. Jack 1/4" se utiliza para conectar el controlador CA-8 opcional.
4. Cable de red
5. Micrófono interno
6. Soporte del fusible



**MONTAJE SUPERIOR**

- **Importante:** La instalación sólo debe llevarse a cabo por personal técnico cualificado. Una instalación incorrecta puede provocar lesiones graves y/o daños en la propiedad. ¡El montaje superior requiere mucha experiencia! Deben respetarse los límites de carga de funcionamiento, deben utilizarse materiales de instalación homologados, el dispositivo instalado debe inspeccionarse regularmente por su seguridad.
- Asegúrese de que debajo del área del lugar de instalación no hay personas durante el montaje, desmontaje o mantenimiento.
- Coloque el aparato en un lugar bien ventilado, lejos de materiales y/o líquidos inflamables. El aparato debe colocarse a al menos 50 cm de las paredes.
- El dispositivo debe instalarse lejos del alcance de las personas y de las áreas exteriores donde éstas puedan andar o sentarse.
- Antes del montaje asegúrese de que el área de la instalación puede soportar una carga mínima de 10 veces el peso de la unidad.
- Utilice siempre un cable de seguridad homologado que pueda soportar 12 veces el peso del dispositivo cuando instale la unidad. Este accesorio de seguridad secundario debe instalarse de forma que ninguna pieza de la instalación pueda caerse más 20 cm si falla el accesorio principal.
- El dispositivo debe fijarse correctamente; ¡un montaje con giro libre es peligroso y no debe considerarse!
- No cubra ninguna abertura de ventilación puesto que podría producirse un sobrecalentamiento de la unidad.
- El operario debe asegurarse de que las instalaciones relacionadas con la seguridad son aprobadas por un experto antes de utilizarlas por primera vez. Las instalaciones deberán inspeccionarse anualmente por una persona cualificada para asegurar que la seguridad es óptima.

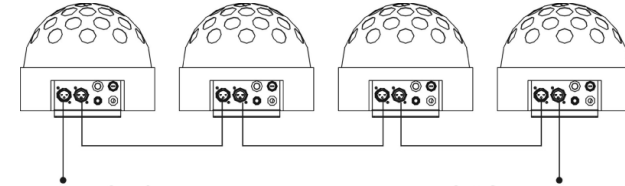
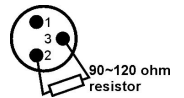
**INSTALACIÓN ELÉCTRICA + DIRECCIONAMIENTO**

**Importante:** La instalación eléctrica sólo debe ser llevada a cabo por personal cualificado, de acuerdo con la regulaciones sobre seguridad eléctrica y mecánica de su país.

**Instalación eléctrica en modo DMX:**

- El protocolo DMX es una señal de alta velocidad muy utilizada para controlar equipo de iluminación inteligente. Necesita conectar en cadena tipo margarita su controlador DMX y todas las unidades conectadas con un cable equilibrado de buena calidad.
- Se utilizan conectores XLR de 3 pines y conectores XLR de 5 pines, no obstante, el conector XLR de 3 pines es más popular porque estos cables son compatibles con los cables de audio equilibrados.  
 Disposición de pines en el conector XLR de 3 pines: Pin1 = GND ~ Pin2 = Señal negativa (-) ~ Pin3 = Señal positiva (+)  
 Disposición de pines en el conector XLR de 5 pines: Pin1 = GND ~ Pin2 = Señal negativa (-) ~ Pin3 = Señal positiva (+) ~ Pines4+5 no se utilizan.

- Para evitar un comportamiento anómalo de los efectos luminosos, debido a interferencias, debe utilizar un terminador de 90Ω a 120Ω al final de la cadena. Nunca utilice cables divisores en Y, ¡No funcionarán!
- Asegúrese de que todas las unidades están conectadas a la red eléctrica.
- Cada efecto luminoso en la cadena necesita disponer de su propia dirección de inicio de forma que sepa qué comando del controlador debe descodificar. En la siguiente sección obtendrá información sobre cómo establecer las direcciones DMX.



**Ajuste de los interruptores DIP para que puedan obtener la dirección de inicio correcta:**

Cada uno de los 9 interruptores DIP corresponden a cierto valor DMX

DIP	#1	#2	#3	#4	#5	#6	#7	#8	#9	#10
Valor	1	2	4	8	16	32	64	128	256	La inversión esclava no se utiliza en modo DMX

Puede combinar los valores de estos interruptores para que se conviertan en cualquier dirección de inicio entre 1 y 512:

- Dirección de inicio = 01 → interruptor 1=ON valores: 1
- Dirección de inicio = 05 → interruptor 1+3=ON valores: 1+4 = 5
- Dirección de inicio = 09 → interruptor 1+4=ON valores: 1+8 = 9
- Dirección de inicio = 13 → interruptor 1+3+4=ON valores: 1+4+8 = 13
- ...
- Dirección de inicio = 62 → interruptor 2+3+4+5+6=ON valores: 2+4+8+16+32 = 62

**MANEJO DE LA UNIDAD**

**1. 1 unidad independiente:**

**Importante: la dirección DMX DEBE establecerse en 001.** (primer interruptor DIP = ON (CONECTADO), todos los demás están OFF

El conmutador 2 tiene dos funciones:

- OFF: Realiza los programas incorporados automáticamente al ritmo de la música.
- ON: Modo automático. Chases (el conmutador 3 cambiará la dirección de rotación, el conmutador 4,5,6 cambiará la velocidad)

**2. Dos o más unidades en configuración maestra/esclava:**

Conecte 2 o más unidades juntas mediante cables de micrófono XLR equilibrados de buena calidad. La unidad que no disponga de cable conectado a su entrada actuará como "maestra", las otras serán unidades esclavas.

**Importante: En la unidad maestra la dirección DMX DEBE establecerse en 001.** (primer interruptor DIP = ON (CONECTADO), todos los demás están OFF (DESCONECTADOS) **Las unidades esclavas pueden tener cualquier valor de dirección DMX EXCEPTO 001**

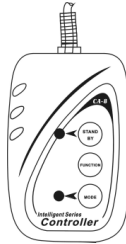
Puede invertir el comportamiento de una o más unidades esclavas cambiando la posición del interruptor DIP núm. 10 en estas unidades esclavas. Inténtelo y compruebe si el efecto mejora. Cambiar el núm. 10 en el interruptor DIP en la unidad maestra no tiene ningún efecto.

*Nota: cuando se utilizan el Solar White y el Solar RGB juntos en el modo Maestro/Esclavo, se colocará el Solar RGB como Maestro. Si se elige un Solar White como Maestro, los colores del Solar RGB no cambiarán automáticamente.*



**3. Conexión del controlador CA-8 para obtener más control:**

El controlador CA-8 sólo puede utilizarse en modalidad independiente, maestra/esclava. Conecte el controlador a la entrada jack de la primera unidad (maestra). Ahora puede controlar todas las unidades conectadas:



<b>Stand by</b>	Oscurece la unidad <b>SOLAR WHITE</b>	
<b>Function</b>	Pulsar para la función 1.Estroboscópica 2.Two Light Strobe	Selección de velocidad de rotación
<b>Mode</b>	Sonido (LED apagado )	Automatico (LED CONECTADO)

<b>Stand by</b>	Oscurece la unidad <b>SOLAR RGB</b>	
<b>Function</b>	Pulsar para la función 1.Estroboscópica 2.Two Light Strobe 3.Sound Strobe	Selección de velocidad de rotación
<b>Mode</b>	Sonido (LED apagado )	Automatico (LED CONECTADO)

**4. Modo DMX:**

Cuando las unidades están conectadas en modo DMX, pueden controlarse mediante la siguiente tabla DMX:

Solar WHITE	
DMX512 Configuration	
Ch1	Ch2
Dimmer/Strobe	Rotation
248-255 OPEN Fast /// 200-247 // / Slow	246-255 Stop  Fast 135-245 Fast Slow 121-134 Stop 10-120 Slow Fast 0-9 Stop
8-199 0-7 CLOSED	

Solar RBG		
DMX512 Configuration		
Ch1	Ch2	Ch3
Dimmer/Strobe	Color	Rotation
248-255 OPEN Slow 200-247 // / Fast 8-199 Dimmer CLOSED 0-7	248 - 255 Color 32 240 - 247 Color 31 232 - 239 Color 30 224 - 231 Color 29 216 - 223 Color 28 208 - 215 Color 27 200 - 207 Color 26 192 - 199 Color 25 184 - 191 Color 24 176 - 183 Color 23 168 - 175 Color 22 160 - 167 Color 21 152 - 159 Color 20 144 - 151 Color 19 136 - 143 Color 18 128 - 135 Color 17 120 - 127 Color 16 112 - 119 Color 15 104 - 111 Color 14 096 - 103 Color 13 088 - 095 Color 12 080 - 087 Color 11 072 - 079 Color 10 064 - 071 Color 09 056 - 063 Color 08 048 - 055 Color 07 040 - 047 Color 06 032 - 039 Color 05 024 - 031 Color 04 016 - 023 Color 03 008 - 015 Color 02 000 - 007 Color 01	246-255 Stop Fast 135-245 Fast Slow 121-134 Stop 10-120 Slow Fast 0-9 Stop

**MANTENIMIENTO**

- Asegúrese de que debajo de la zona del lugar de instalación no haya personas durante el mantenimiento.
- Apague la unidad, desenchufe el cable de red y espere hasta que la unidad se haya enfriado.
- **Durante la inspección deberá comprobar los siguientes puntos:**
- Todos los tornillos utilizados para instalar el dispositivo y cualquiera de sus piezas deberán apretarse firmemente y no corroerse.
- Las carcasas, las fijaciones y los puntos de instalación (techo, suspensiones) no deberán presentar ninguna deformidad.
- Cuando una lente óptica esté visiblemente dañada por grietas o rasguños profundos, deberá ser reemplazada.
- Los cables de red deberán estar en perfecto estado y deberán reemplazarse inmediatamente incluso si el problema detectado es pequeño.
- Para proteger al aparato del sobrecalentamiento, las aletas de refrigeración (si las hubiera) y las aberturas de ventilación deberán limpiarse mensualmente.
- El interior del dispositivo deberá limpiarse anualmente mediante una aspiradora o chorro de aire.
- La limpieza de las lentes internas y externas y/o espejos deberá llevarse a cabo periódicamente para optimizar la emisión luminosa. La frecuencia de limpieza depende del entorno en el que funcione el aparato: los ambientes húmedos, con humo o especialmente sucios pueden provocar una mayor acumulación de suciedad en los elementos ópticos del aparato.
  - Limpie con un paño suave utilizando productos de limpieza de cristales normales.
  - Seque siempre las piezas con cuidado.
  - Limpie los elementos ópticos externos al menos una vez cada 30 días.
  - Limpie los elementos ópticos internos al menos una vez cada 90 días.

**Atención:** ¡Le recomendamos encarecidamente que la limpieza interna sea llevada a cabo por personal cualificado!

**ESPECIFICACIONES**

**Entrada de red:**

CA 100V~240V, 50/60Hz

**Fusible:**

T-1A

**Control de sonido:**

Micrófono interno

**Conexiones DMX:**

3 clavijas XLR macho / hembra

**Canales DMX utilizados:**

Solar White: Canales 2

Solar RGB: Canales 3

Solar white: 1x white LED 3Watt

Solar RGB: 1x 3-color LED 3Watt

210 x 210 x 179 mm

**Lámpara:**

1,8kg

**Tamaño:**

**Peso:**

Toda la información está sujeta a cambios sin previo aviso  
Puede descargar la última versión de este manual de usuario en nuestra página Web:  
[www.beglec.com](http://www.beglec.com)

# MANUAL DO UTILIZADOR

Obrigado por ter adquirido este produto da JB Systems®. De modo a tirar total proveito das possibilidades deste produto, por favor leia este manual com atenção.

## CARACTERÍSTICAS

Esta unidade está protegida contra interferências rádio. Este produto cumpre as exigências impostas pelas presentes directivas nacionais e europeias. A conformidade deste produto foi comprovada e as declarações e documentos relevantes foram efectuados pelo fabricante.

- Esta unidade destina-se a produzir efeitos luminosos decorativos e é utilizada em sistemas de espectáculos de luz.
- Um efeito LED, controlado por DMX, extremamente compacto
- Projecta 34 feixes brancos afiados (Solar White) ou feixes coloridos (Solar RGB) com programas dinâmicos incorporados!
- Regulação de intensidade 0-100% e função de strobe ultra rápida
- Velocidade de rotação ajustável desde muito lenta até muito rápida
- Diferentes modos de utilização para máxima flexibilidade:
  - Controlo DMX
    - Autónomo: activado por som com microfone interno ou automático
    - Master/slave: espectáculos maravilhosos sincronizados
- Comando opcional CA-8 disponível
- Baseado em LED muito potente de 3 watt
  - Cores extremamente brilhantes comparadas com os efeitos baseados em lâmpadas de halogéneo.
  - Mais efeitos dinâmicos comparados com os efeitos baseados em lâmpadas de halogéneo.
  - Sem substituição de lâmpadas!
  - Utiliza LEDs com uma duração de vida extremamente longa!
  - Virtualmente sem produção de calor
  - Consumo de energia muito baixo
  - Muito leve (sem necessidade de transformadores para a lâmpada)

## ANTES DE UTILIZAR

- Antes de utilizar esta unidade verifique se existem danos provocados durante o transporte. Caso existam danos aparentes, não utilize a unidade e contacte o seu revendedor.
- **Importante:** Esta unidade deixou a nossa fábrica em perfeitas condições e devidamente embalada. É imprescindível que o utilizador siga as instruções de segurança e avisos descritos neste manual. Quaisquer danos provocados por utilização incorrecta não serão cobertos pela garantia. O revendedor não será responsável por quaisquer danos ou problemas causados pelo incumprimento das instruções deste manual.
- Guarde este manual num local seguro para consulta futura. Caso venda esta unidade, forneça este manual.

### Verifique o conteúdo:

Certifique-se que a caixa contém os seguintes artigos:

- Manual do utilizador
- Solar White ou Solar RGB
- Braçadeira de suspensão + 2 Parafusos & 2 porcas

## INSTRUÇÕES DE SEGURANÇA:



**CAUTION**  
RISK OF ELECTRIC SHOCK  
DO NOT OPEN



**ATENÇÃO:** De forma a evitar o risco de choque eléctrico, não remova peças da unidade. Não tente fazer reparações. Contacte pessoal qualificado



O símbolo composto por um triângulo equilátero com um relâmpago no interior alerta para a presença de voltagem perigosa não isolada no interior do produto que poderá constituir risco de choque eléctrico.



O símbolo composto por um triângulo equilátero com um ponto de exclamação alerta o utilizador para a presença de instruções importantes de utilização e manutenção do produto.



Este símbolo significa: utilização unicamente em espaços fechados



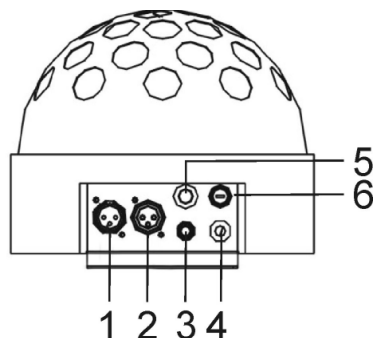
Este símbolo significa: Leia instruções

- Proteja o ambiente. Recicle o material desta embalagem.
- De modo a evitar risco de fogo ou choque eléctrico, não exponha este produto a chuva ou humidade.
- De forma a evitar a formação de condensação no interior da unidade, ao transportá-la para ambiente quente aguarde algum tempo de modo a que haja uma ambientação à temperatura. A condensação poderá afectar o desempenho da unidade ou até danificá-la.
- Esta unidade destina-se unicamente a utilização em espaços fechados.
- Não introduza objectos de metal nem verta líquidos no interior do produto, correrá risco de choque eléctrico ou poderá danificar o produto. Caso algum objecto estranho entre em contacto com o interior da unidade, desligue-a de imediato da corrente.
- Coloque esta unidade num local arejado, afastado de materiais inflamáveis e/ou líquidos. Esta unidade deverá ser instalada a pelos menos 50cm de distância de paredes circundantes.
- Não cubra os orifícios de ventilação ou a unidade poderá sobreaquecer.
- Evite locais com poeiras. Limpe a unidade regularmente.
- Mantenha esta unidade fora do alcance das crianças.
- Esta unidade deverá ser operada unicamente por pessoas experientes.
- Temperatura ambiente de funcionamento máxima é de 40°C. Não utilize esta unidade a temperaturas ambientes mais elevadas.
- Certifique-se de que não irão passar pessoas sob a área de instalação da unidade durante a instalação e manutenção.
- Desligue sempre a unidade da corrente quando não a utilizar durante longos períodos de tempo, antes de efectuar manutenção.
- A instalação eléctrica deve ser efectuada unicamente por pessoal qualificado, cumprindo os regulamentos de segurança em instalações eléctricas e mecânicas do seu país.
- Certifique-se que a voltagem a utilizar não é superior à voltagem indicada no painel traseiro da unidade.
- O cabo de alimentação deverá estar sempre em perfeitas condições. Desligue a unidade e substitua imediatamente o cabo caso este apresente algum dano. Deverá ser substituído pelo fabricante, pelo agente autorizado ou pessoal qualificado de modo a evitar um acidente.
- Nunca permita que este cabo entre em contacto com outros cabos!
- Esta unidade deverá estar ligada à Terra de forma a respeitar as regras de segurança.
- Não ligue a unidade a reguladores de intensidade.
- Utilize sempre um cabo de segurança aprovado ao instalar a unidade.
- De forma a não correr risco de choque eléctrico não abra a cobertura da unidade.
- **Nunca** repare um fusível nem tente operar a unidade sem fusível. Substitua **sempre** um fusível danificado por outro com as mesmas características!
- Em caso de problemas sérios de funcionamento, interrompa a utilização da unidade e contacte imediatamente o seu revendedor.
- A cobertura e as lentes deverão ser substituídas caso apresentem danos visíveis.
- Caso seja necessário transportar a unidade utilize a embalagem original.
- Por motivos de segurança, são proibidas quaisquer alterações não autorizadas à unidade.

**Importante:** Nunca olhe directamente para a luz! Não utilize este efeito luminoso na presença de pessoas epiléticas.

**DESCRIÇÃO:**

1. Entrada DMX: Conector XLR macho de 3 pinos usado para ligar cabos DMX universais. Esta entrada recebe instruções de um controlador DMX ou de outro Solar White/RGB quando está em modo master/slave
2. Saída DMX: Conector XLR fêmea 3 pinos usada para conectar o Solar White/RGB com a próxima unidade na cadeia DMX ou com outro Solar White/RGB quando usado em modo master/slave
3. Jack 1/4" usado para conectar o comando opcional CA-8
4. Cabo alimentação
5. Microfone interno
6. Suporte de fusível



**INSTALAÇÃO EM SUSPENSÃO**

- **Importante:** A instalação deve ser efectuada unicamente por pessoal qualificado. Uma instalação incorrecta pode resultar em ferimentos graves e/ou danos na sua propriedade. Para efectuar uma instalação em suspensão é necessária muita experiência! Respeite os limites de carga, utilize materiais de instalação aprovados e inspeccione a unidade instalada regularmente de forma a assegurar a segurança.
- Certifique-se que sob a área de instalação da unidade não irão passar pessoas durante a instalação e manutenção.
- Coloque esta unidade num local arejado, afastada de materiais inflamáveis e/ou líquidos. Esta unidade deverá ser instalada a **pelos menos 50cm** de distância de paredes circundantes.
- A unidade deve ser instalada fora do alcance das pessoas; afastada de áreas onde as pessoas possam passar ou sentar-se.
- Antes de proceder à instalação certifique-se que a área seleccionada pode suportar uma carga mínima de 10 vezes o peso da unidade.
- Na instalação, utilize sempre um cabo de segurança aprovado com capacidade para suportar 12 vezes o peso da unidade. Esta medida de segurança secundária deverá ser instalada de forma a que nenhuma parte da instalação possa cair mais de 20cm caso o ponto de apoio principal ceda.
- A unidade deverá ser fixa firmemente. Uma instalação oscilante pode ser perigosa e não deverá ser efectuada!
- Não cubra os orifícios de ventilação ou a unidade poderá sobreaquecer.
- O utilizador da unidade deverá certificar-se que a instalação é aprovada em termos de segurança e em termos técnicos por uma pessoa qualificada antes de efectuar a primeira utilização. A instalação deverá ser inspeccionada todos os anos por um técnico qualificado de forma a certificar-se que a segurança está assegurada.

**INSTALAÇÃO ELÉCTRICA + CONFIGURAÇÃO**

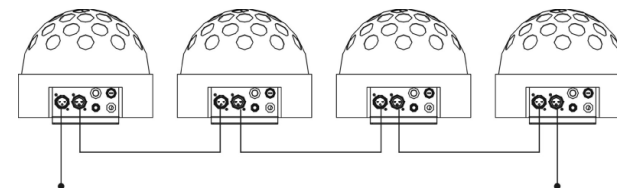
**! Importante:** A instalação eléctrica deve ser feita apenas por pessoal qualificado, de acordo com os regulamentos para segurança eléctrica e mecânica no vosso país.

**Instalação eléctrica em modo DMX:**

- O protocolo DMX é um sinal de alta velocidade usado para controlar equipamento inteligente de luz. É necessário ligar em série o vosso controlador DMX a todas as unidades conectadas com um cabo balanceado de boa qualidade
- Ambos os conectores XLR 3 pinos e XLR 5 pinos são usados, mas os XLR 3 pinos são mais populares porque estes cabos são compatíveis com cabos de áudio balanceados.  
Configuração XLR 3 pinos: Pino 1 = Terra ~ Pino 2 = Sinal negativo (-) ~ Pino 3 = Sinal positivo (+)  
Configuração XLR 5 pinos: Pino 1 = Terra ~ Pino 2 = Sinal negativo (-) ~ Pino 3 = Sinal positivo (+) ~ Pinos 4+5 não são usados.
- Para prevenir comportamento estranho dos efeitos de luz, devido a interferências, deverá usar uma resistência de 90Ω a 120Ω no final da série. Nunca utilize divisor de cabo Y, isto simplesmente não funciona!



- Verifique se todas as unidades estão ligadas á corrente.
- Cada efeito de luz na série precisa de ter o seu próprio endereço inicial para saber quais os comandos do controlador que tem de descodificar. Na próxima secção irá aprender como configurar os endereços DMX.



**Como definir os interruptores DIP para obter o endereço inicial correcto:**

Cada um dos primeiros 9 interruptores DIP corresponde a um certo valor DMX:

DIP	#1	#2	#3	#4	#5	#6	#7	#8	#9	#10
Valor	1	2	4	8	16	32	64	128	256	Inversão Slave, não usada em modo DMX

Pode combinar os valores destes interruptores para tornar qualquer endereço inicial entre 1 e 512:

- Endereço Inicial = 01 → Interruptor 1=ON valor: 1
- Endereço Inicial = 05 → Interruptor 1+3=ON valor: 1+4 = 5
- Endereço Inicial = 09 → Interruptor 1+4=ON valor: 1+8 = 9
- Endereço Inicial = 13 → Interruptor 1+3+4=ON valor: 1+4+8 = 13
- ...
- Endereço Inicial = 62 → Interruptor 2+3+4+5+6=ON valor: 2+4+8+16+32 = 62

**COMO CONTROLAR A UNIDADE**

**1. 1 unidade autónoma:**

**Importante:** Na unidade Individual o endereço DMX TEM de ser definido para 001. (primeiro interruptor DIP = ON, todos os outros em OFF).

O interruptor DIP 2 tem duas funções:

- OFF: Efectua os programas incorporados automaticamente ao ritmo da música.
- ON: Modo Auto: 8 seqüências (interruptor DIP 3 irá mudar a direcção da rotação, os interruptores 4,5,6 irá mudar a velocidade)

**2. Duas ou mais unidades em modo master/slave:**

Conecte 2 ou mais unidades juntas usando cabos de microfone balanceados de boa qualidade. A unidade que não tem cabo conectado á sua entrada irá reagir como Master, as outras serão as unidades Slave.

**Importante:** Na unidade Master o endereço DMX TEM de ser definido para 001. (primeiro interruptor DIP = ON, todos os outros em OFF). **As unidades Slave podem ter qualquer valor DMX mas NÃO o 001!**

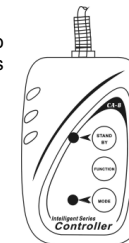
Pode inverter o comportamento de uma ou mais unidades slave alterando a posição do interruptor DIP n. 10 nas unidades Slave. Experimente e veja se o efeito se torna melhor. Alterando o interruptor DIP n.10 na unidade Master não terá efeito.

*Nota: quando usar o Solar White e o Solar RGB em conjunto em modo Master/Slave, deverá definir uma unidade Solar RGB como Master. Se usar um Solar White como Master, as cores do Solar RGB não irão mudar automaticamente*

**3. Conecte o comando opcional CA-8 para mais controlo:**

O comando CA-8 pode ser usado apenas em modo autónomo ou master/slave. Conecte o comando á entrada jack da primeira unidade (master). Agora pode controlar todas as unidades que estiverem conectadas:

Stand by	Coloca a SOLAR WHITE em Blackout	
Function	Pressione para função	Seleção da velocidade de rotação
	1.Strobe 2.Two light strobe	
Mode	Som (LED apagado)	Automático (LED aceso)



<b>Stand by</b>	Coloca a <b>SOLAR RGB</b> em Blackout	
<b>Function</b>	Pressione para função 1.Strobe 2.Two light strobe 3.Sound Strobe	Seleção da velocidade de rotação
<b>Mode</b>	Som (LED apagado)	Automático (LED aceso)

4. **Modo DMX**

Quando as unidades estão ligadas em modo DMX, podem ser controladas usando a seguinte tabela DMX:

Solar WHITE		Solar RBG		
DMX512 Configuration		DMX512 Configuration		
Ch1	Ch2	Ch1	Ch2	Ch3
Dimmer/Strobe	Rotation	Dimmer/Strobe	Color	Rotation
248-255 Fast /// 200-247 // / Slow 8-199 0-7 CLOSED	246-255 Stop Fast 135-245 Slow 121-134 Stop 10-120 Slow Fast 0-9 Stop	248-255 OPEN Slow 200-247 Fast 8-199 Dimmer CLOSED 0-7	248 - 255 Color 32 240 - 247 Color 31 232 - 239 Color 30 224 - 231 Color 29 216 - 223 Color 28 208 - 215 Color 27 200 - 207 Color 26 192 - 199 Color 25 184 - 191 Color 24 176 - 183 Color 23 168 - 175 Color 22 160 - 167 Color 21 152 - 159 Color 20 144 - 151 Color 19 136 - 143 Color 18 128 - 135 Color 17 120 - 127 Color 16 112 - 119 Color 15 104 - 111 Color 14 096 - 103 Color 13 088 - 095 Color 12 080 - 087 Color 11 072 - 079 Color 10 064 - 071 Color 09 056 - 063 Color 08 048 - 055 Color 07 040 - 047 Color 06 032 - 039 Color 05 024 - 031 Color 04 016 - 023 Color 03 008 - 015 Color 02 000 - 007 Color 01	246-255 Stop Fast 135-245 Slow 121-134 Stop 10-120 Slow Fast 0-9 Stop

**MANUTENÇÃO**

- Certifique-se que sob a área de instalação da unidade não irão passar pessoas durante a manutenção.
- Desligue o cabo de alimentação da corrente e aguarde que a unidade arrefeça.
- **Durante a inspeção deverá verificar os seguintes pontos:**
- Todos os parafusos utilizados nas peças da unidade e na instalação deverão estar apertados firmemente e não poderão estar corroídos.
- A cobertura da unidade, os pontos de fixação e as áreas de instalação (tecto, armação, etc.) não deverão apresentar qualquer deformação.
- Caso uma lente apresente danos visíveis como fendas ou riscos profundos, deverá ser substituída imediatamente.
- O cabo de alimentação deverá estar em perfeitas condições e deverá ser substituído assim que for detectado o mais pequeno dano.
- As ventoinhas de arrefecimento (caso existam) e os orifícios de ventilação deverão ser limpos todos os meses de modo a evitar que a unidade sobreaqueça.
- Utilize um aspirador ou um compressor de ar para limpar o interior da unidade uma vez por ano.
- De forma a otimizar a projecção de luz, limpe as lentes ópticas internas e externas e/ou espelhos periodicamente. A regularidade das limpezas depende do ambiente em que está instalada a unidade: um ambiente húmido, com fumo ou poeirento dará origem a uma maior acumulação de impurezas nas ópticas da unidade.

- Utilize um pano macio e um limpa-vidros normal na limpeza da unidade.
- Seque sempre as peças cuidadosamente.
- Limpe as ópticas externas pelo menos uma vez em cada 30 dias.
- Limpe as ópticas internas pelo menos uma vez em cada 90 dias.

**Atenção:** Recomendamos vivamente que a limpeza do interior da unidade seja efectuada por pessoal qualificado!

**ESPECIFICAÇÕES**

<b>Fonte de Alimentação:</b>	AC 100V ~ 240V, 50/60Hz
<b>Fusível:</b>	T-1A
<b>Ligações DMX:</b>	XLR 3 pinos macho / fêmea
<b>Canais DMX usados:</b>	Solar White: 2 canais Solar RGB: 3 canais
<b>Controlo de som:</b>	Microfone interno
<b>Lâmpada:</b>	Solar white: 1x white LED 3Watt Solar RGB: 1x 3-color LED 3Watt
<b>Dimensões:</b>	210 x 210 x 179 mm
<b>Peso:</b>	1,8kg

Estas informações estão sujeitas a alterações sem aviso prévio  
 Pode fazer download da versão mais recente deste manual no nosso site: [www.beglec.com](http://www.beglec.com)